

10-SEATER SOUTHWARK RATTAN DINING SET

Instruction Manual

SKU Number: **SBA-00186** (Black) / **SBA-00187** (Brown) /
SBA-00188 (Grey)

- Galvanised steel frame
- Hand woven synthetic rattan
- Tempered glass table top
- 180g waterproof polyester covered cushions

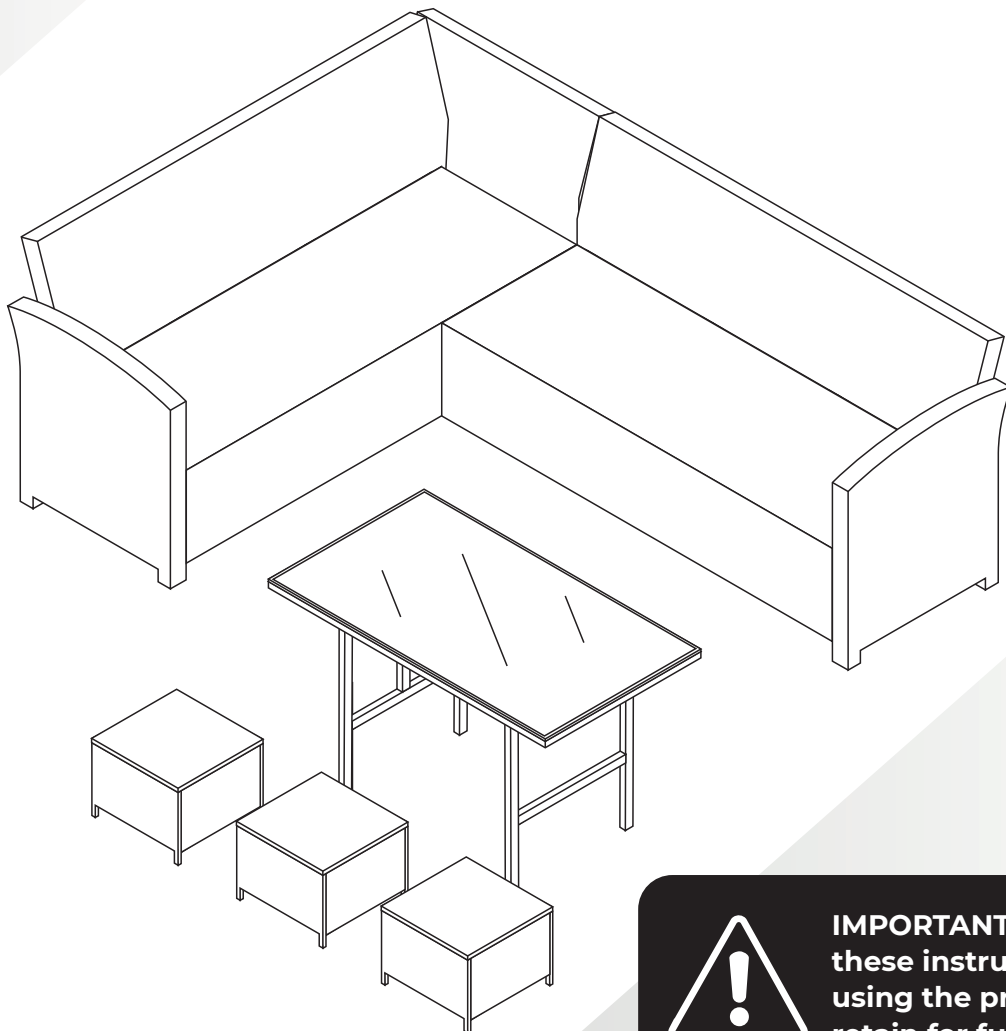
Includes 2 x sofas, 3 x stools and 1 x table

Four-seater sofa: H76 x W175 x D66cm

Three-seater sofa: H76 x W163 x D66cm

Stools: H32 x W40 x D40cm

Dining Table: H68 x W130 x D75cm



IMPORTANT: Please read these instructions before using the product and retain for future use.

Simply Brands

Importer Name:
Simply Brands (Asia) Ltd

Importer Address:
Unit 04-05, 16th Floor, The Broadway No. 54-62
Lockhart Road, Wanchai, Hong Kong

SAFETY & CARE ADVICE

Please read these instructions fully before starting assembly.

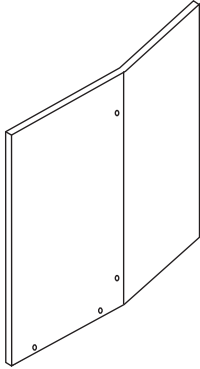
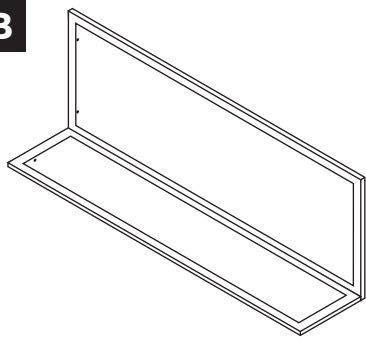
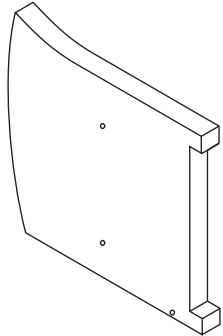
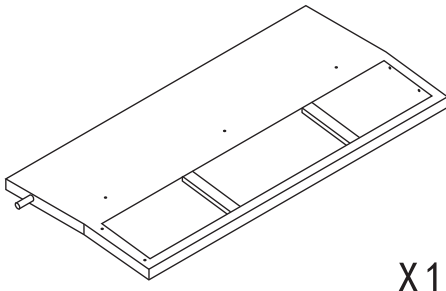
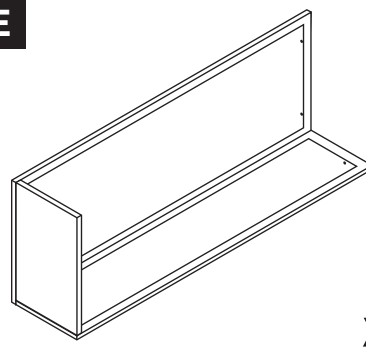
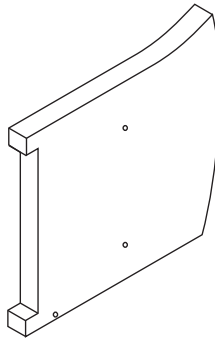
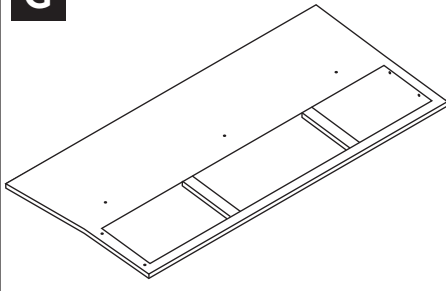
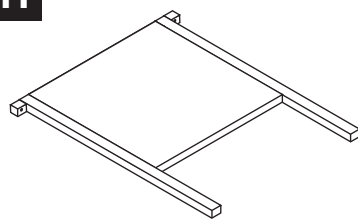
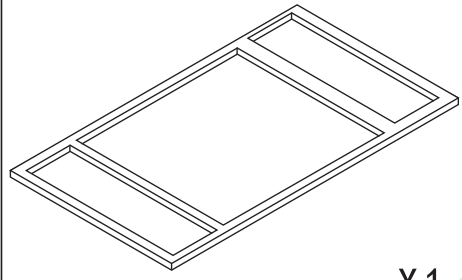
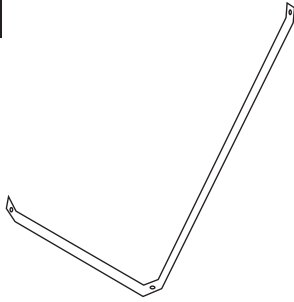
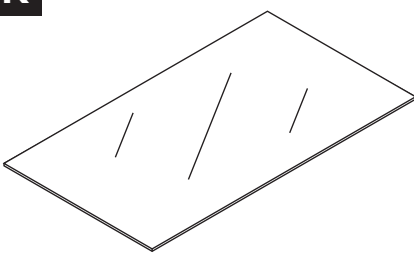
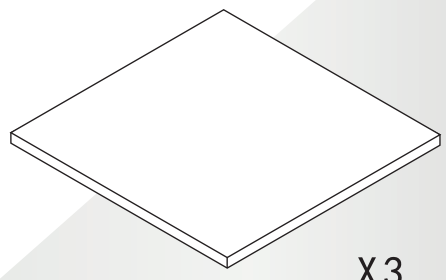
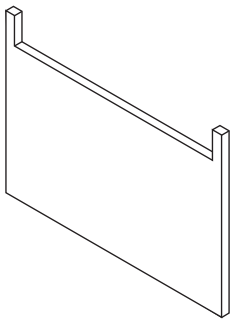
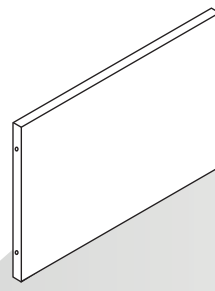












- **It's recommended that two people should assemble this product.**
- This product is made from toughened glass, which is strong but not unbreakable. In the unlikely event that the glass fails, it will break into a large number of small fragments that may be spread over a wide area. This is a feature of toughened glass and is designed to remove the risk of injury from glass breaking into large shards.
- Tables should not be dragged at any time.
- Remove parasol from base and when table is not in use or in windy conditions.
- Do not strike or place heavy weight on the table.
- Do not place hot items directly onto the glass.
- Avoid dropping objects on the glass as this may weaken or shatter it.
- Do not use the glass as a chopping surface. Do not strike the glass with hard or pointed items.
- Check you have all the components and tools listed in this booklet before assembly.
- Remove all fittings from their plastic bags and separate them into their groups.
- Keep children and animals away from the work area; small parts could choke if swallowed.
- Make sure you have enough space to lay out the parts before starting.
- Do not stand or put weight on the component parts during assembly, as this could cause damage.
- Assemble on a soft level surface to avoid damaging the furniture set or your floor.
- Dispose of all packaging carefully and responsibly.

IMPORTANT INFORMATION

Care instructions

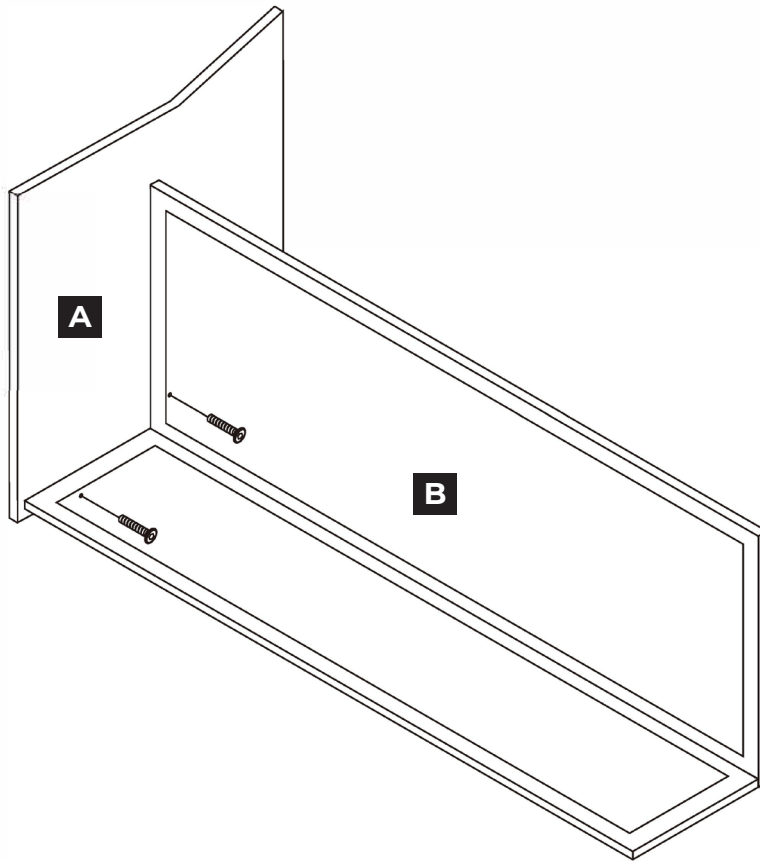
- Regularly check all the bolts, screws and fastenings are secure.
- Only clean using a damp cloth and mild detergent; do not use bleach or abrasive cleaners.
- Make sure each screw matches the corresponding figure to ensure correct assembly.
- **This product should not be discarded with household waste.** Take to your local authority waste disposal centre.
- To prolong the life of this furniture set, we recommend it is stored inside during winter or extended periods of bad weather.

NOTE: DO NOT TIGHTEN BEFORE FIXING ALL BOLTS

<p>A</p>  <p>X1</p>	<p>B</p>  <p>X1</p>	<p>C</p>  <p>X1</p>				
<p>D</p>  <p>X1</p>	<p>E</p>  <p>X1</p>	<p>F</p>  <p>X1</p>				
<p>G</p>  <p>X1</p>	<p>H</p>  <p>X2</p>	<p>I</p>  <p>X1</p>				
<p>J</p>  <p>X1</p>	<p>K</p>  <p>X1</p>	<p>L</p>  <p>X3</p>				
<p>M</p>  <p>X6</p>	<p>N</p>  <p>X6</p>	<table border="1"> <tr> <td data-bbox="1026 1720 1276 1915"> <p>O</p>  <p>M 6X35 X63</p> </td> <td data-bbox="1276 1720 1501 1915"> <p>P</p>  <p>M 6X16 X2</p> </td> </tr> <tr> <td data-bbox="1026 1915 1276 2101"> <p>Q</p>  <p>M 6X25 X1</p> </td> <td data-bbox="1276 1915 1501 2101"> <p>Tools included</p>  </td> </tr> </table>	<p>O</p>  <p>M 6X35 X63</p>	<p>P</p>  <p>M 6X16 X2</p>	<p>Q</p>  <p>M 6X25 X1</p>	<p>Tools included</p> 
<p>O</p>  <p>M 6X35 X63</p>	<p>P</p>  <p>M 6X16 X2</p>					
<p>Q</p>  <p>M 6X25 X1</p>	<p>Tools included</p> 					

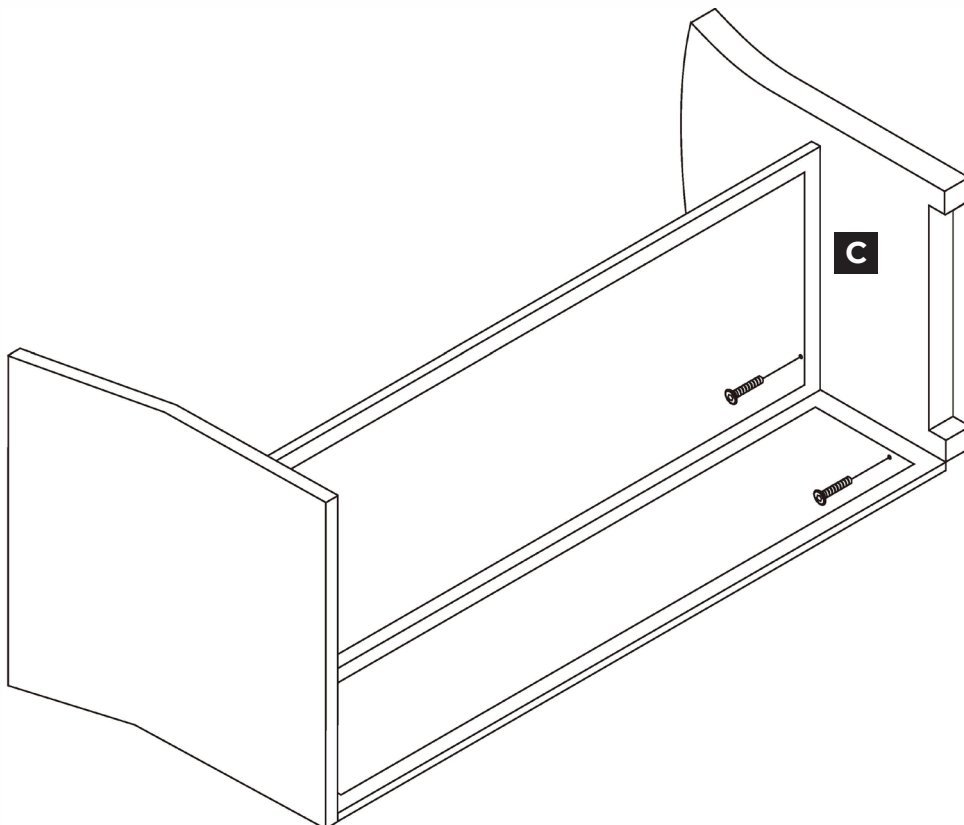
1

NOTE: DO NOT TIGHTEN BEFORE FIXING ALL BOLTS



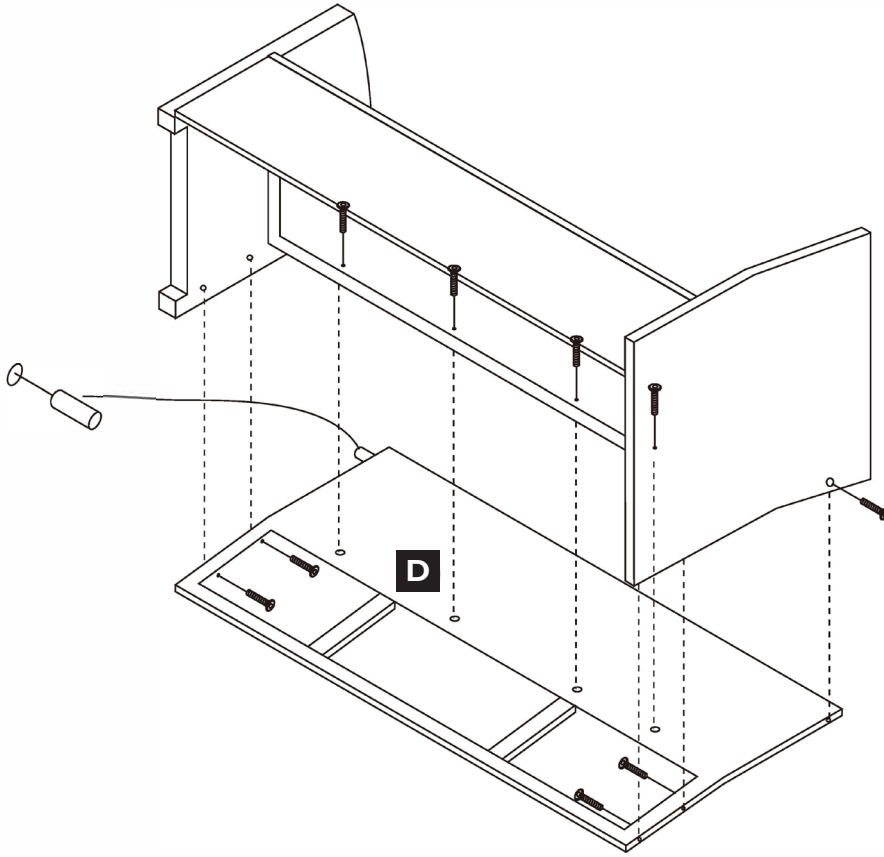
2

NOTE: DO NOT TIGHTEN BEFORE FIXING ALL BOLTS



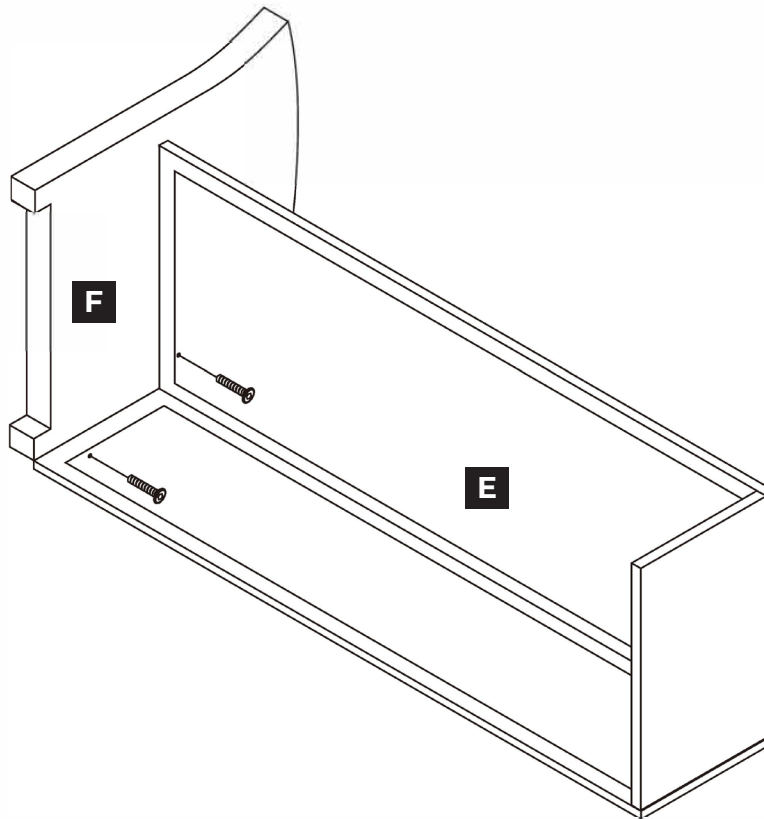
3

NOTE: DO NOT TIGHTEN BEFORE FIXING ALL BOLTS



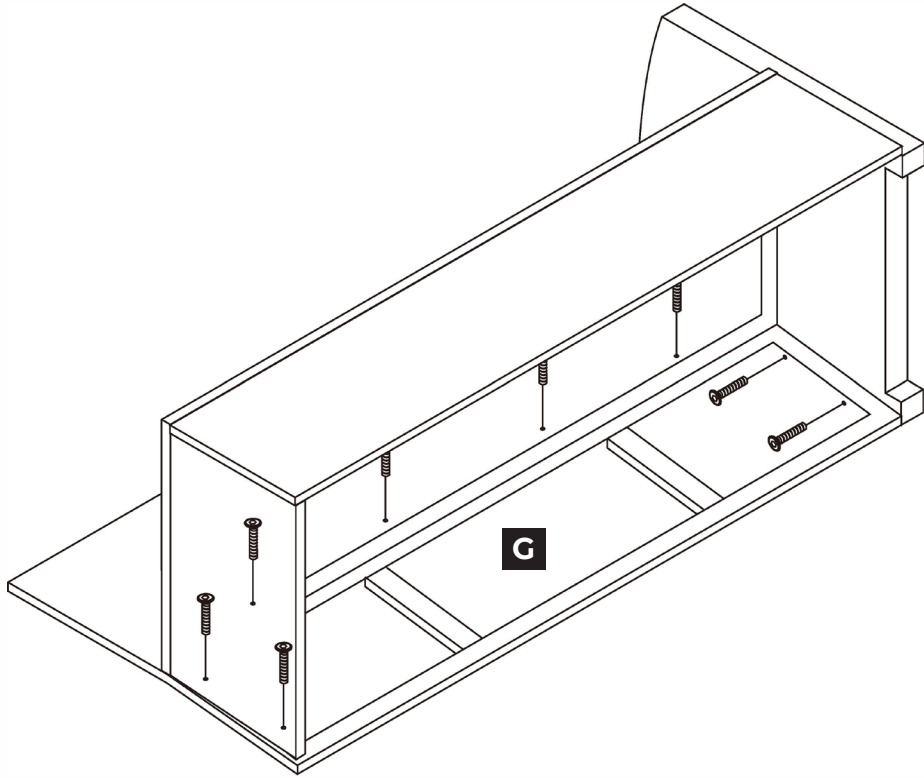
4

NOTE: DO NOT TIGHTEN BEFORE FIXING ALL BOLTS



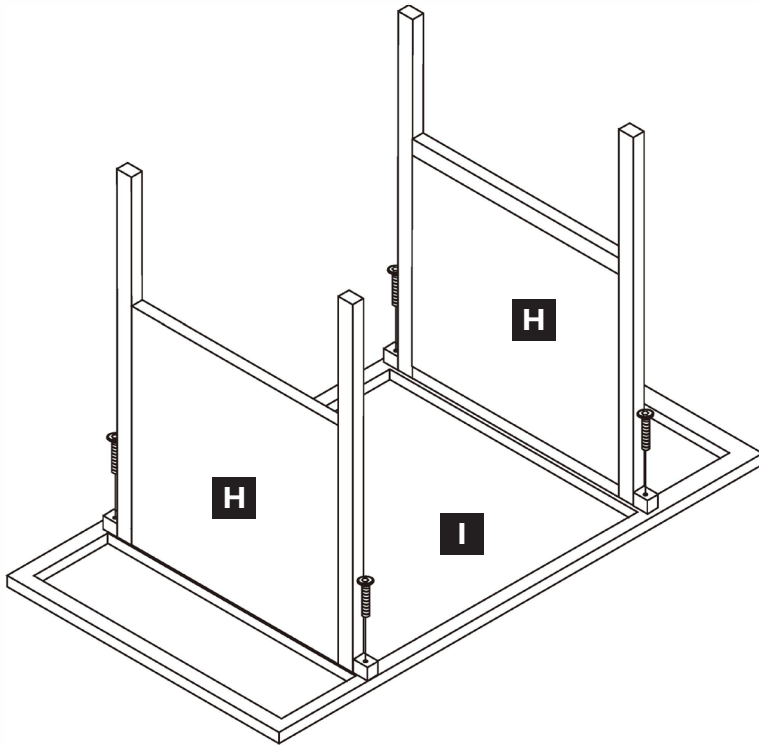
5

NOTE: DO NOT TIGHTEN BEFORE FIXING ALL BOLTS



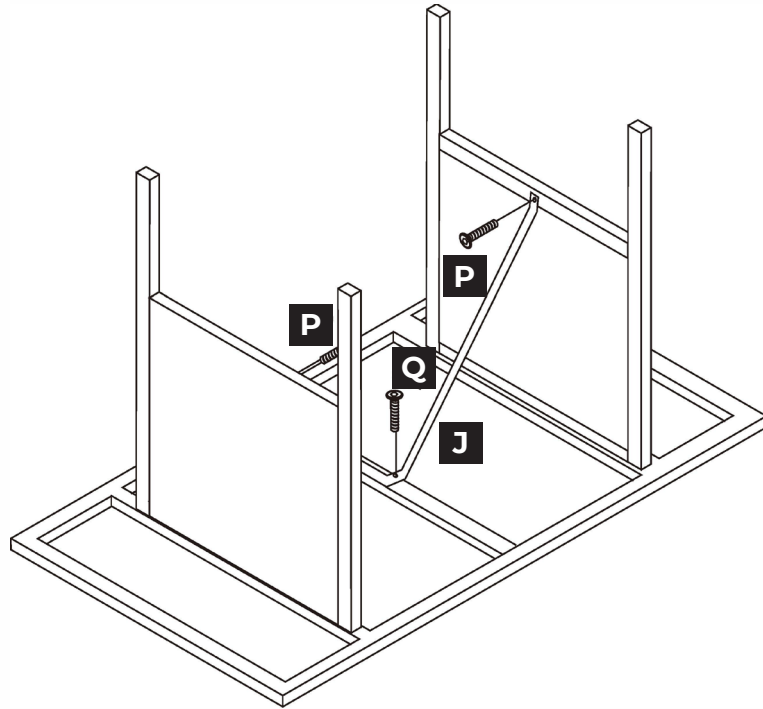
6

NOTE: DO NOT TIGHTEN BEFORE FIXING ALL BOLTS

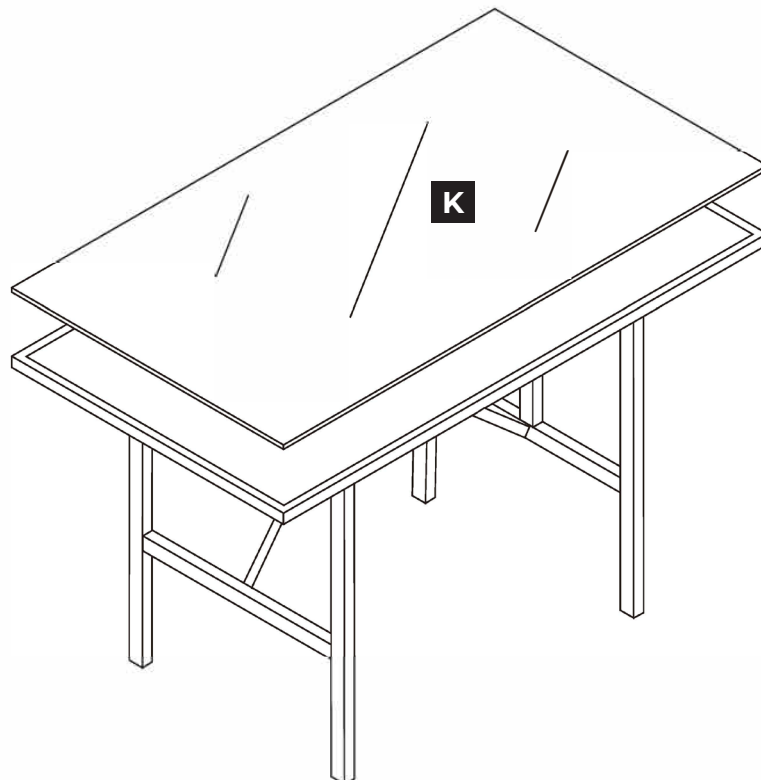


7

NOTE: DO NOT TIGHTEN BEFORE FIXING ALL BOLTS

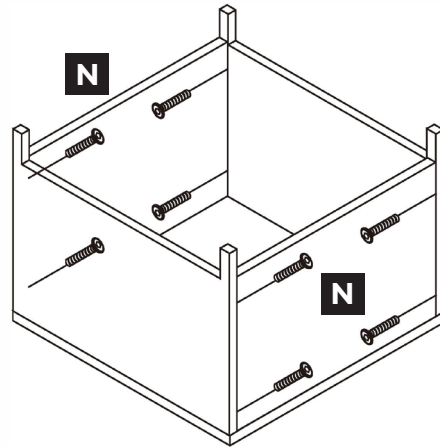
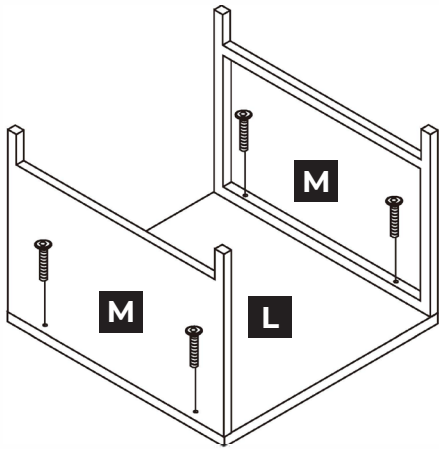


8



9

NOTE: DO NOT TIGHTEN BEFORE FIXING ALL BOLTS



10

