

# Simply Brands

## LEFT/RIGHT FACING CORNER SOFA SET

**Instruction Manual**

SKU Number: **SBA-00125**

- Powder-coated steel frame
- Hand woven synthetic rattan
- Toughened glass table top
- Sofa can be left or right facing configuration

Includes 2 x sofas and 1 x table

**Two-seater sofa:** H62 x W131 x D70cm

**Corner section:** H62 x W140 x D79cm

**Table:** H31 x W45 x D45cm



**IMPORTANT:** Please read these instructions before using the product and retain for future use.



## SAFETY & CARE ADVICE

Please read these instructions fully before starting assembly.

- **It's recommended that two people should assemble this product.**
- This product is made from toughened glass, which is strong but not unbreakable. In the unlikely event that the glass fails, it will break into a large number of small fragments that may be spread over a wide area. This is a feature of toughened glass and is designed to remove the risk of injury from glass breaking into large shards.
- Tables should not be dragged at any time.
- Remove parasol from base and when table is not in use or in windy conditions.
- Do not strike or place heavy weight on the table.
- Do not place hot items directly onto the glass.
- Avoid dropping objects on the glass as this may weaken or shatter it.
- Do not use the glass as a chopping surface. Do not strike the glass with hard or pointed items.
- Check you have all the components and tools listed in this booklet before assembly.
- Remove all fittings from their plastic bags and separate them into their groups.
- Keep children and animals away from the work area; small parts could choke if swallowed.
- Make sure you have enough space to lay out the parts before starting.
- Do not stand or put weight on the component parts during assembly, as this could cause damage.
- Assemble on a soft level surface to avoid damaging the unit or your floor.
- Dispose of all packaging carefully and responsibly.

## IMPORTANT INFORMATION

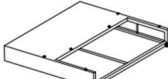




### Care instructions

- Regularly check all the bolts, screws and fastenings are secure.
- Only clean using a damp cloth and mild detergent; do not use bleach or abrasive cleaners.
- Make sure each screw matches the corresponding figure to ensure correct assembly.
- **This product should not be discarded with household waste.** Take to your local authority waste disposal centre.
- To prolong the life of this unit, we recommend it is stored inside during winter or extended periods of bad weather.

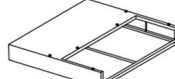




## COMPONENTS – PARTS

Please check you have all components listed below. If you have any missing or damaged components, please contact your local store.





### Two-seater Sofa

<b>A</b>		x1
<b>B</b>		x1
<b>C</b>		x1
<b>K</b>		x2
<b>L</b>		x1

### Corner Section

<b>A</b>		x1
<b>B</b>		x1
<b>C</b>		x1
<b>K</b>		x1
<b>L</b>		x1

### Table

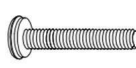

<b>A</b>		x2
<b>B</b>		x2
<b>C</b>		x1
<b>H</b>		x1

## COMPONENTS – FITTINGS



Please check you have all fittings listed below. If you have any missing or damaged fittings, please contact your local store.

**NOTE:** The quantities below are the correct amount to complete the assembly. In some cases, more fittings may be supplied than required.



### Two-seater Sofa

<b>D</b>	 M6*35mm	x8
<b>E</b>	 Φ13*Φ6.5*1.0mm	x8


### Corner Section

<b>D</b>	 M6*35mm	x7
<b>E</b>	 Φ13*Φ6.5*1.0mm	x7

### Table

<b>D</b>	 M6*35mm	x8
<b>E</b>	 Φ13*Φ6.5*1.0mm	x8

## Tools included

<b>J</b>		x1
----------	---	----

# ASSEMBLY INSTRUCTIONS

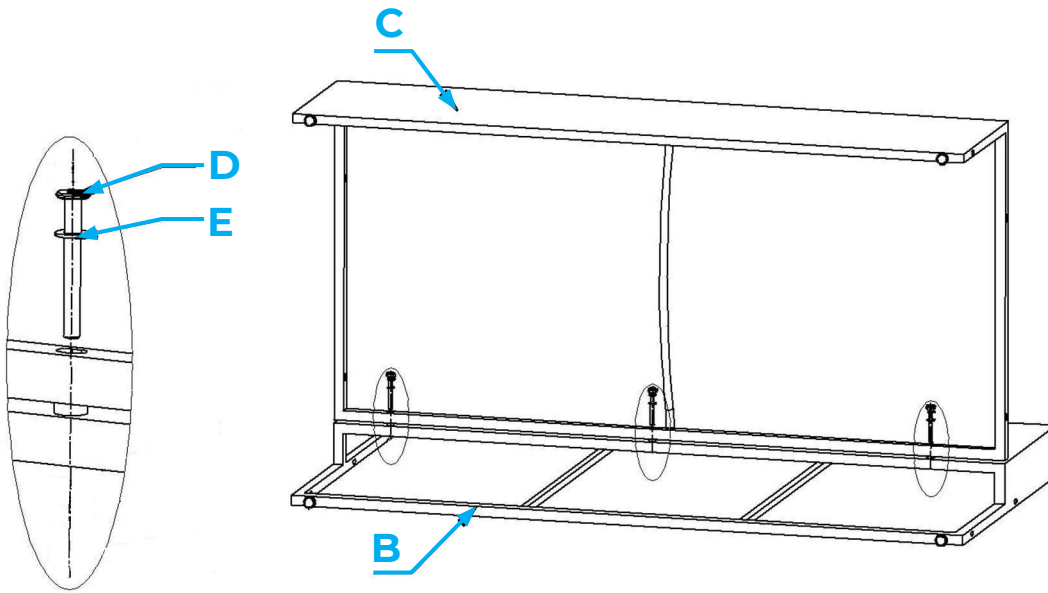
## OPTION 1

### Two-seater Sofa

#### STEP 1

Fix back **B** to seat **C** using screw **D**, washer **E**.

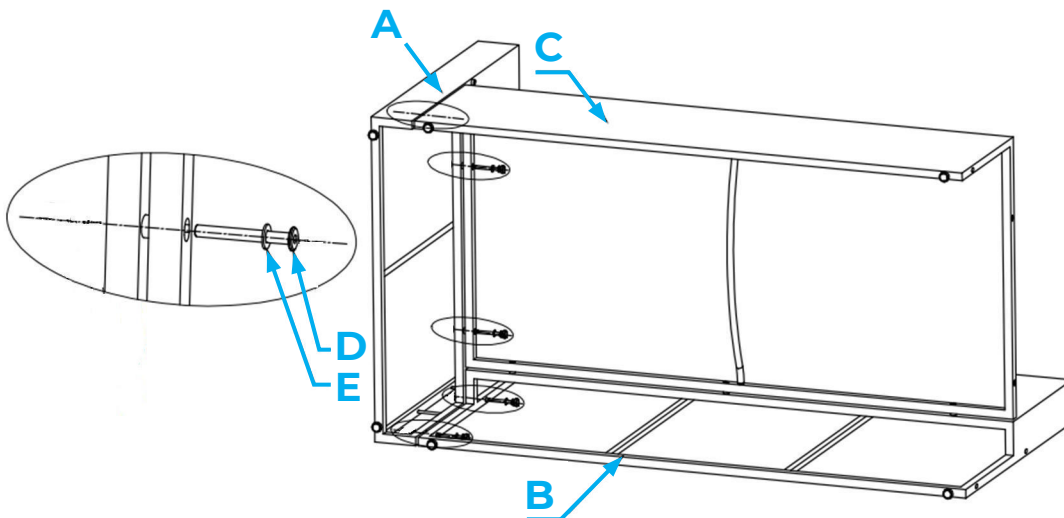
**Please note:** only tighten the screws when it is fully assembled.



#### STEP 2

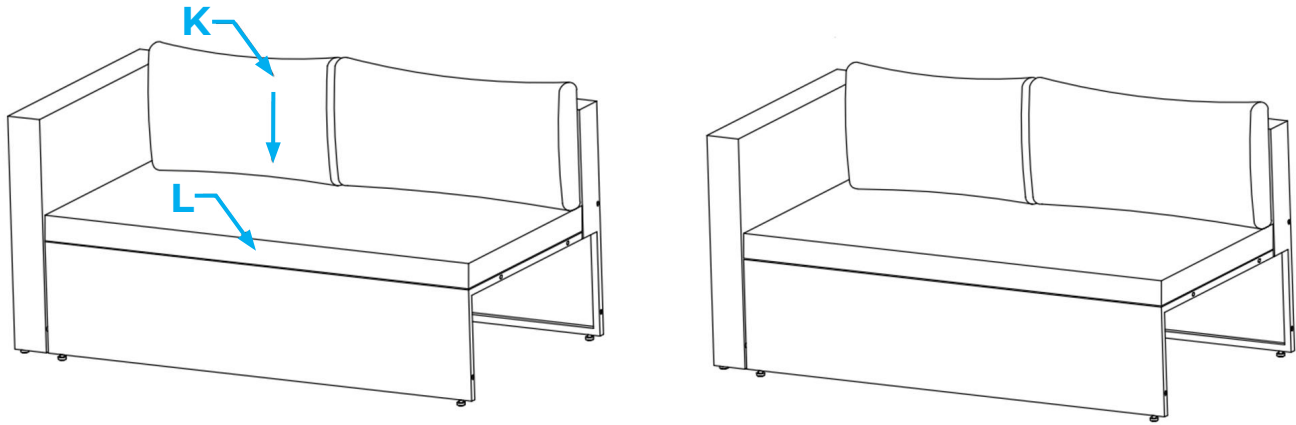
Fix armrest **A** to seat **C** and back **B** using screws **D**, washers **E**.

**Please note:** only tighten the screws when it is fully assembled.



### STEP 3

Put back cushion **K** and seat cushion **L** on the bench.



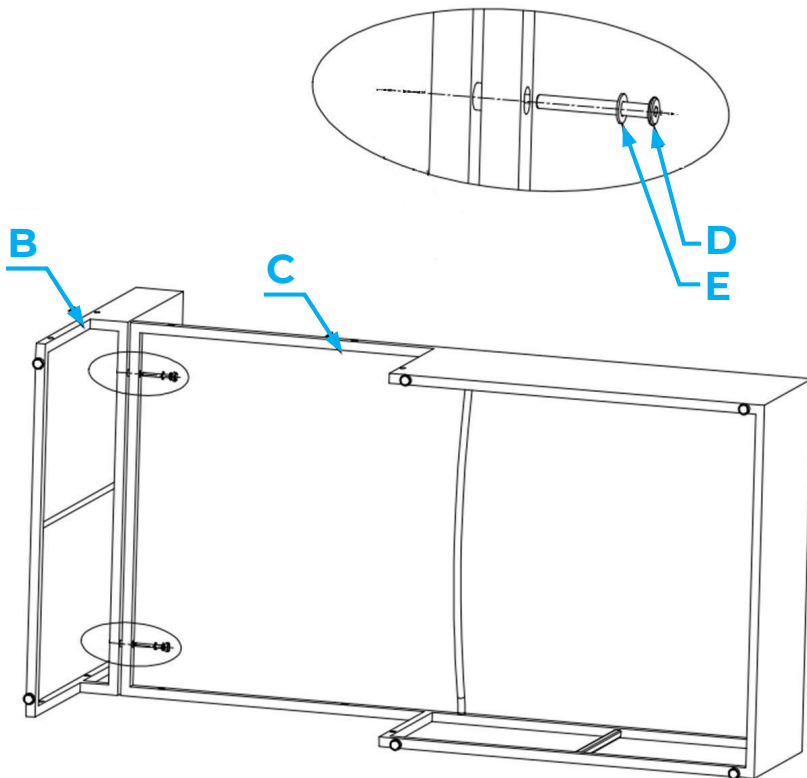
### OPTION 1

### Corner Section

### STEP 1

Fix back **B** to seat **C** using screw **D**, washer **E**.

**Please note:** only tighten the screws when it is fully assembled.



# ASSEMBLY INSTRUCTIONS (cont'd)

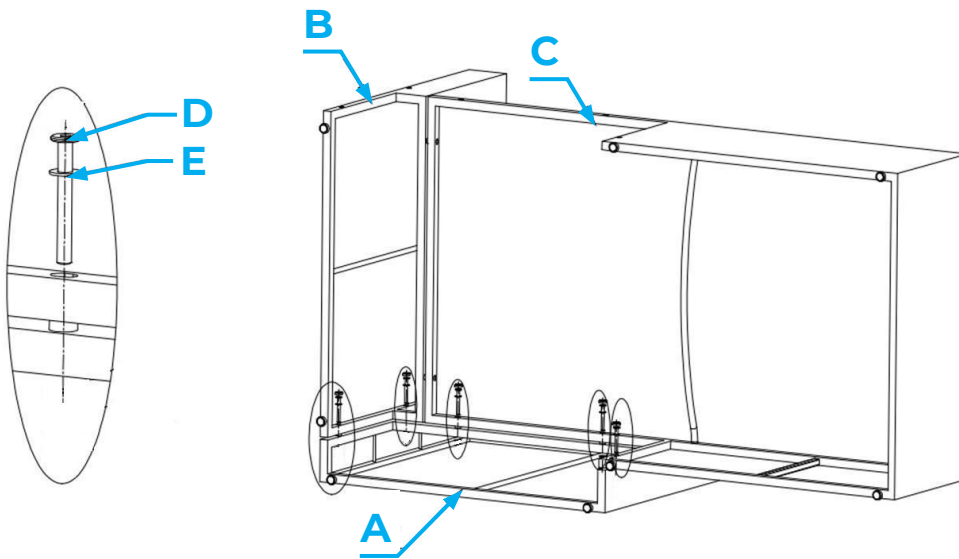
## OPTION 1

### Corner Section

#### STEP 2

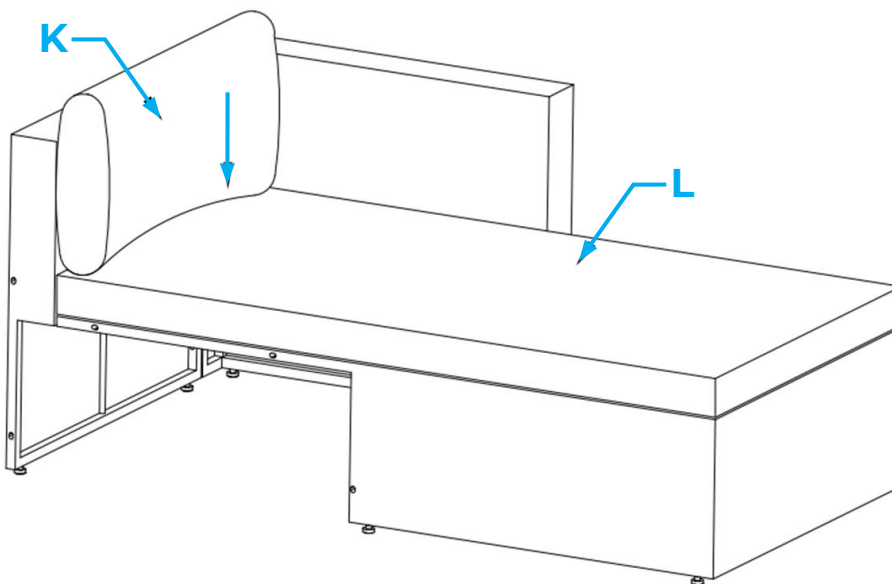
Fix armrest **A** to back **B** and seat **C** using screw **D**, washer **E**.

**Please note:** only tighten the screws when it is fully assembled.



#### STEP 3

Put back cushion **K** and seat cushion **L** on the bench.



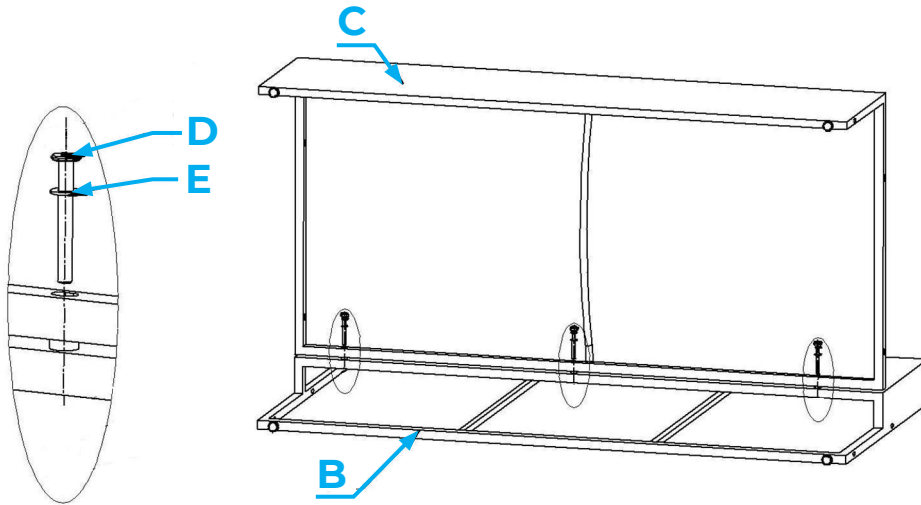
## OPTION 2

### Two-seater Sofa

#### STEP 1

Fix back **B** to seat **C** using screw **D**, washer **E**.

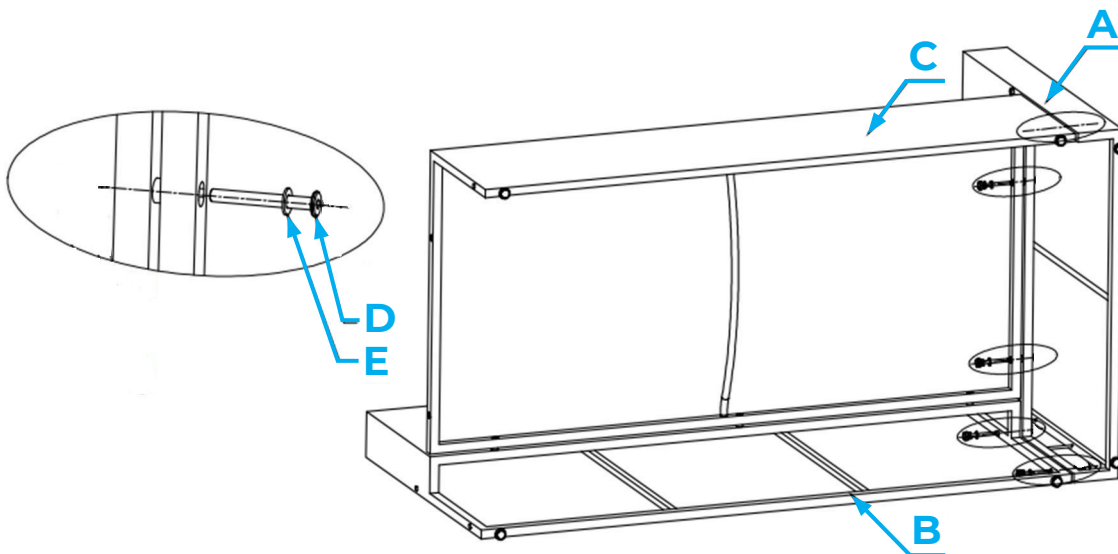
**Please note:** only tighten the screws when it is fully assembled.



#### STEP 2

Fix armrest **A** to seat **C** and back **B** using screws **D**, washers **E**.

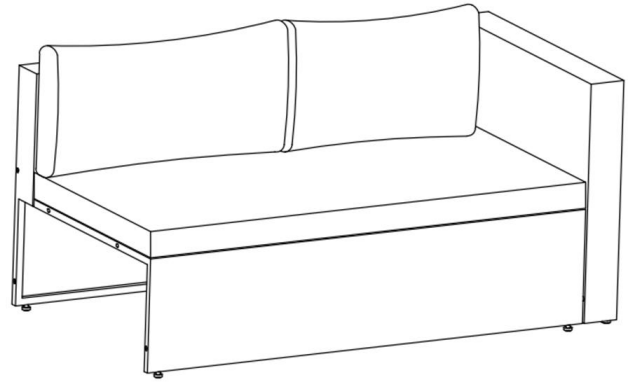
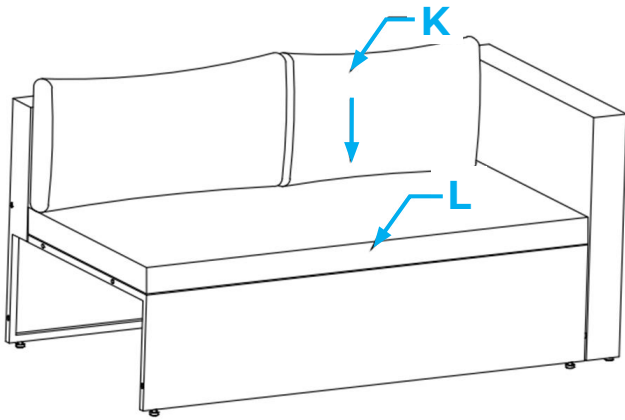
**Please note:** only tighten the screws when it is fully assembled.



## ASSEMBLY INSTRUCTIONS (cont'd)

### STEP 3

Put back cushion **K** and seat cushion **L** on the bench.



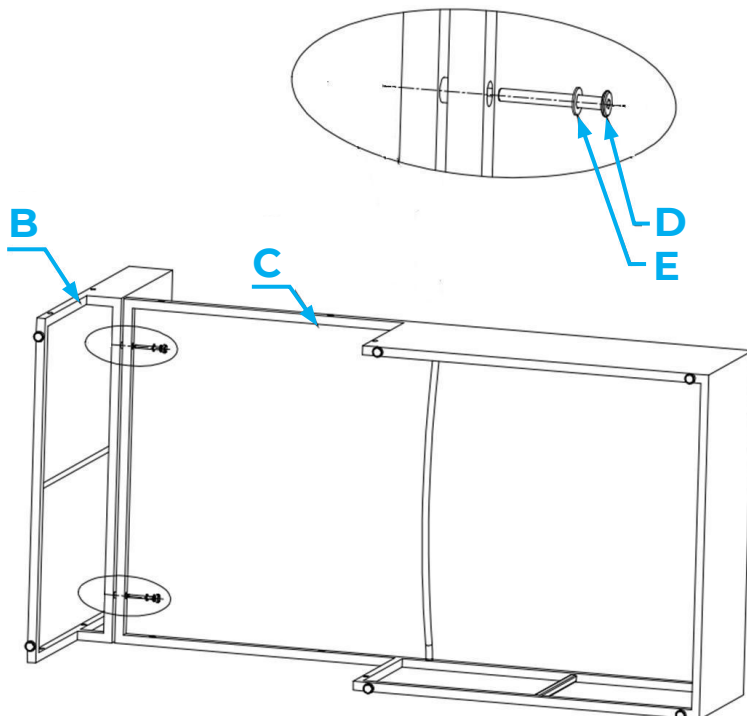
### OPTION 2

#### Corner Section

### STEP 1

Fix back **B** to seat **C** using screw **D**, washer **E**.

**Please note:** only tighten the screws when it is fully assembled.

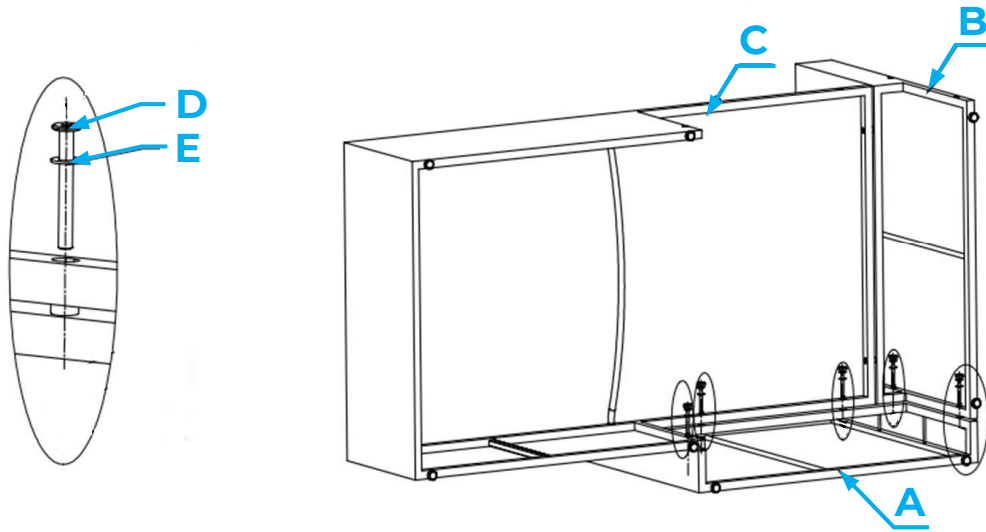




## STEP 2

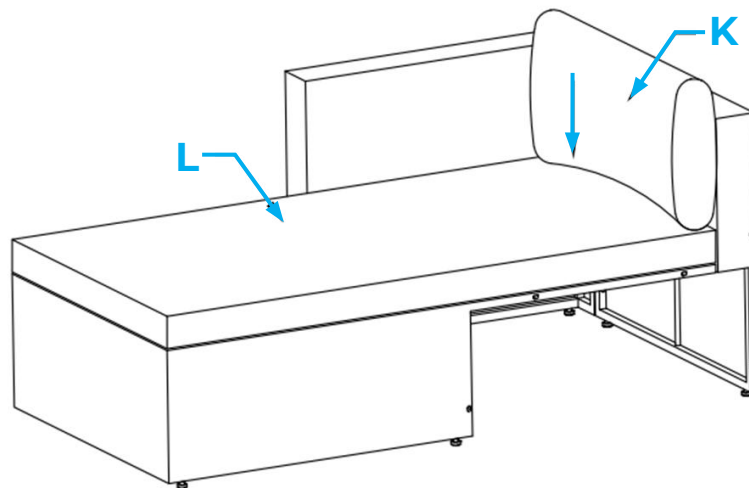
Fix armrest **A** to back **B** and seat **C** using screw **D**, washer **E**.

**Please note:** only tighten the screws when it is fully assembled.



## STEP 3

Put back cushion **K** and seat cushion **L** on the bench.

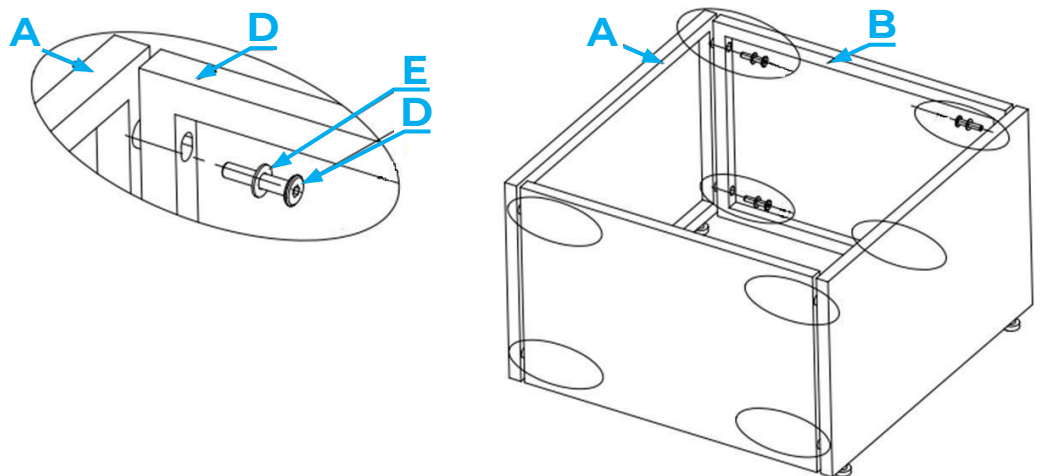


## Table

### STEP 1

Fix side panel **A** and **B** with screw **D**, washer **E**.

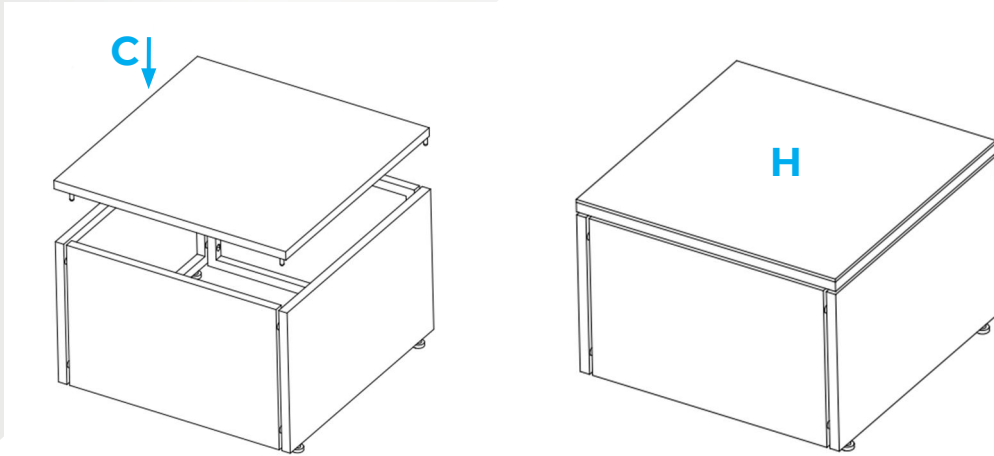
**Please note:** only tighten the screws when it is fully assembled.



## ASSEMBLY INSTRUCTIONS (cont'd)

### STEP 2

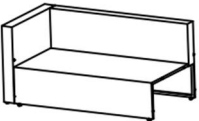

Carefully put faceplate **C** and glass **H** on the top.



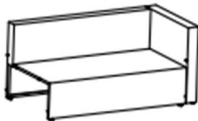
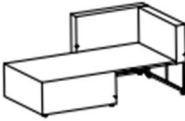
**WARNING:** The two-seater sofa and corner section cannot be used separately. They must be attached together as a set.

## COMPONENTS – PARTS

### OPTION 1 – Right Facing

<b>A</b>		x1
<b>B</b>		x1

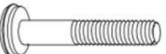

### OPTION 2 – Left Facing

<b>A</b>		x1
<b>B</b>		x1

## COMPONENTS – FITTINGS FOR SOFA SET



Please check you have all fittings listed below. If you have any missing or damaged fittings, please contact your local store.

**NOTE:** The quantities below are the correct amount to complete the assembly. In some cases, more fittings may be supplied than required.

<b>F</b>	 M6*60mm	x5
<b>E</b>	 Φ13*Φ6.5*1.0mm	x10

<b>G</b>	 M6	x5
----------	---	----

## TOOLS INCLUDED

J		x1
J1		x1

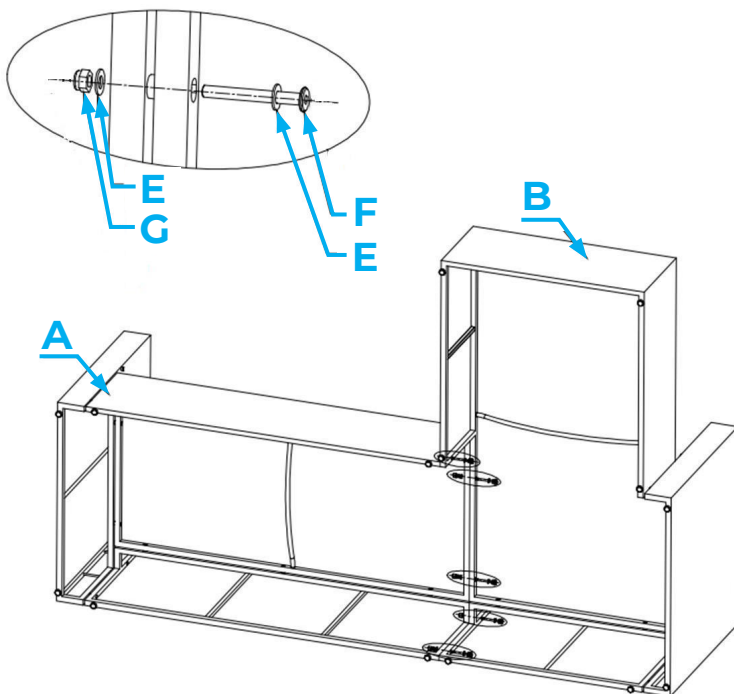
## SOFA SET ATTACHMENT INSTRUCTIONS

### OPTION 1 – Right Facing

#### STEP 1

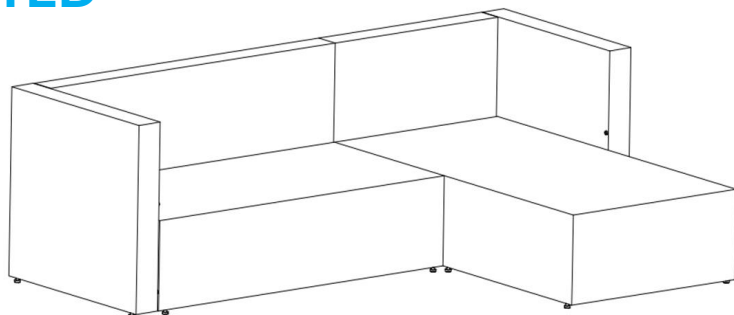
Fix two-seater sofa **A** to corner section **B** with screw **F**, washer **E** and nut **G**.

**Please note:** only tighten the screws when it is fully assembled.



## ASSEMBLY COMPLETED

Your furniture is ready to use.



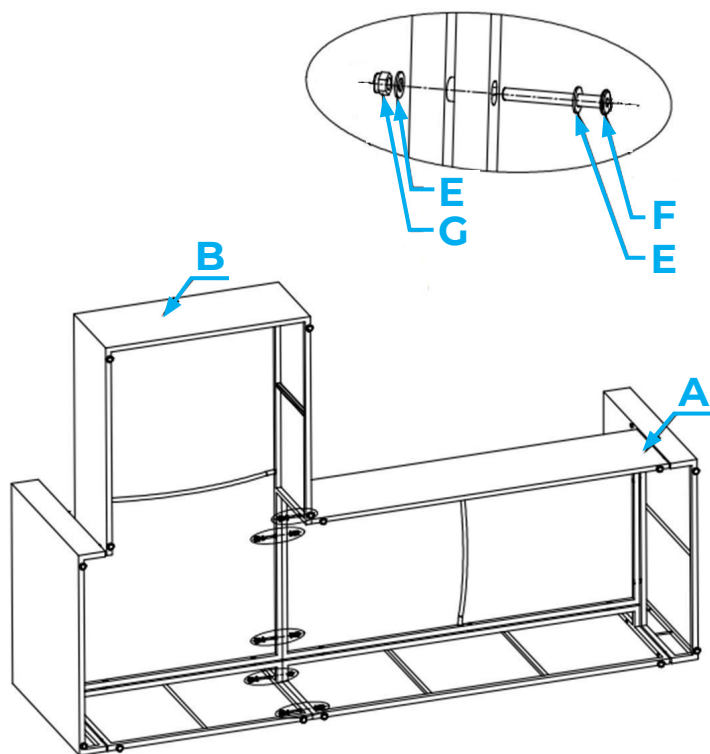
## SOFA SET ATTACHMENT INSTRUCTIONS (cont'd)

### OPTION 2 – Left Facing

#### STEP 1

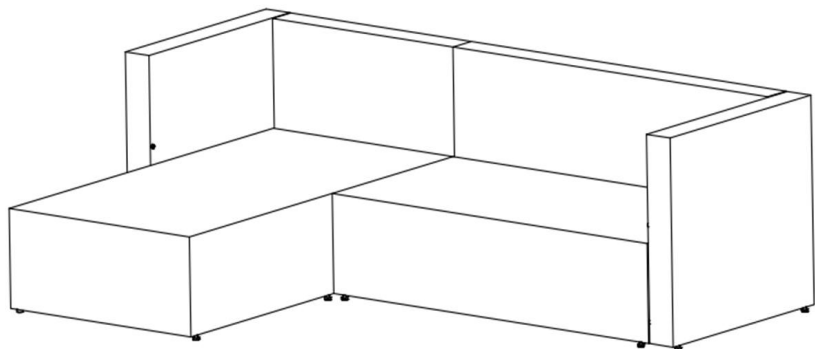
Fix two-seater sofa **A** to corner section **B** with screw **F**, washer **E** and nut **G**.

**Please note:** only tighten the screws when it is fully assembled.



## ASSEMBLY COMPLETED

Your furniture is ready to use.



Simply Brands

[www.simply-brands.com](http://www.simply-brands.com)

**Importer Name:**  
Simply Brands (Asia) Ltd

**Importer Address:**  
Unit 04-05, 16th Floor, The Broadway No. 54-62  
Lockhart Road, Wanchai, Hong Kong