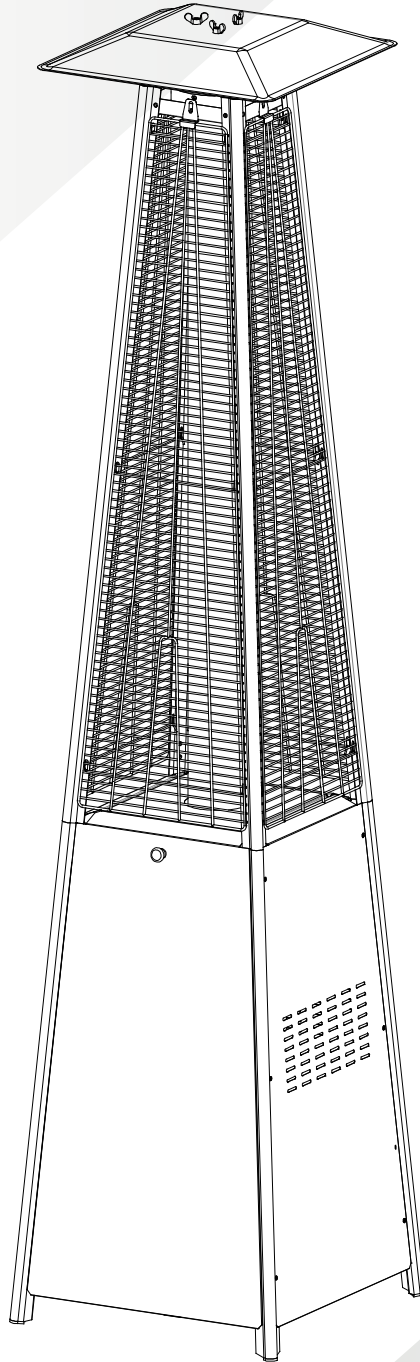


PYRAMID GAS PATIO HEATER

Instruction Manual

Model Number: **MS-PH68-SS**



IMPORTANT: Keep the instructions for future reference



2575-21

Simply Brands

www.simply-brands.com

Importer Name:

Simply Brands (Asia) Ltd

Importer Address:

Unit 04-05, 16th Floor, The Broadway No. 54-62
Lockhart Road, Wanchai, Hong Kong



WARNING SAFETY RULES

PLEASE READ THE FOLLOWING SAFETY RULES PRIOR TO OPERATING THE PATIO GAS HEATER

FOR YOUR SAFETY

If you smell gas:

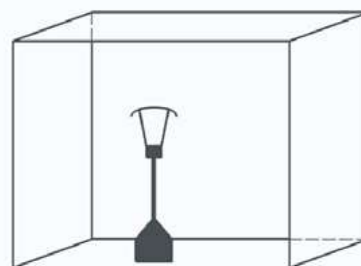
1. Shut off the gas supply to the appliance.
2. Extinguish any visible flames.
3. If smoke odour continues, immediately phone your gas supplier or the emergency fire service.

FOR YOUR SAFETY

1. Do not store or use gasoline or other flammable vapours and liquids in the vicinity of this or any other appliance
2. An LP cylinder not connected for use shall not be stored in the vicinity of this or any other appliance

PLACEMENT WARNING

1. For use outdoors or in amply ventilated areas.
2. An amply ventilated area must have a minimum of 25 % of the surface area open.
3. The surface area is the sum of the walls surface.



INSTALLATION WARNING

Improper installation, adjustment, alteration, service or maintenance can cause injury or property damage. Read the installation, operating and maintenance instructions thoroughly before installing, operating or servicing this equipment.

GAS a.k.a. 'LPG' (LIQUEFIED PETROLEUM GAS) CYLINDER WARNING

Read the instructions before installation and use.

- This appliance must be installed and the LPG cylinder stored in accordance with the regulations in force;
- Do not obstruct the ventilation holes of the cylinder housing;
- Do not move the appliance when in operation;
- Shut off the valve at the LPG cylinder or the regulator before moving the appliance;
- The tubing or the flexible hose must be changed within the prescribed intervals;
- Use only the type of LPG and the type of cylinder specified by the manufacturer;
- The LPG cylinder used with your patio heater must meet the following requirements **(see LPG Requirements on page 6)**:

**Purchase LPG cylinders only with these required measurements:
31.8cm (diameter) x 58cm (tall) with 15kg maximum capacity.**

- In case of violent wind, particular attention must be taken against tilting of the appliance.

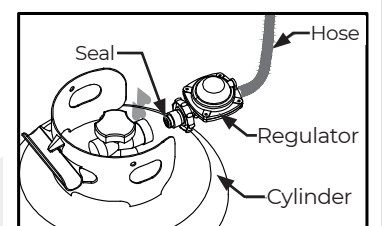
TABLE OF CONTENTS

Caution	5
Heater Stand and Location	6
LPG (Liquefied Petroleum Gas) Requirements.....	6
Leakage Test	6
Operation and Storage.....	7
Cleaning and Care	8
Parts and Specifications.....	8
Assembly Parts and Procedures	10
Problems Check List.....	18

CAUTION

PLEASE READ CAREFULLY THE FOLLOWING SAFETY GUIDELINES BEFORE OPERATION.

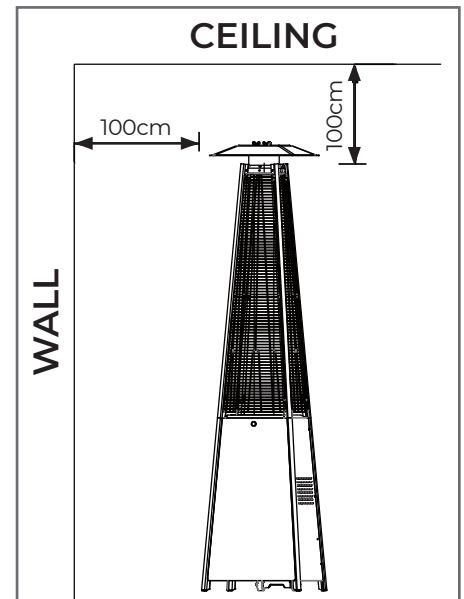
- Do not use the patio heater for indoors, as it may cause personal injury or property damage.
- This outdoor heater is not intended to be installed on recreational vehicles and/or boats.
- Installation and repair should be done by a qualified service person.
- Improper installation, adjustment, alteration can cause personal injury or property damage.
- Do not attempt to alter the unit in any manner.
- Never replace or substitute the regulator with any regulator other than the factory-suggested replacement.
- Do not store or use gasoline or other flammable vapours or liquids in the heater unit.
- The whole gas system, hose, regulator, pilot or burner should be inspected for leaks or damage before use, and at least annually by a qualified service person.
- All leak tests should be done with a soap solution. **Never use an open flame to check for leaks.**
- Do not use the heater until all connections have been leak tested.
- Turn off the gas valve immediately if a smell of gas is detected. Turn the Cylinder Valve OFF. If a leak is at the Hose/Regulator connection: tighten the connection and perform another leak test. If bubbles continue appearing, it should be returned to the hose's place of purchase. If a leak is at the Regulator/Cylinder Valve connection: disconnect, reconnect, and perform another leak test. If you continue to see bubbles after several attempts, the cylinder valve is defective and should be returned to cylinder's place of purchase.
- Do not transport the heater while it's operating.
- Do not move the heater after it has been turned off until the temperature has cooled down.
- Keep the ventilation opening of the cylinder enclosure free and clear of debris.
- Do not paint the radiant screen, control panel or top canopy reflector.
- Control compartment, burner and circulation air passageways of the heater must be kept clean.
- Frequent cleaning may be required as necessary.
- The LPG tank should be turned off when the heater is not in use.
- Check the heater immediately if any of the following occurs:
 - The heater does not reach temperature.
 - The burner makes a popping noise during use (a slight noise is normal when the burner is extinguished).
 - Smell of gas in conjunction with extreme yellow tipping of the burner flames.
- The LPG regulator/hose assembly must be located out of pathways where people may trip over it or in area where the hose will not be subject to accidental damage.
- Any guard or other protective device removed for servicing the heater must be replaced before operating the heater.
- Adults and children should stay away from high temperature surfaces to avoid burns or setting clothing alight.
- Children should be carefully supervised when they are in the area of the heater.
- Clothing or other flammable materials should not be hung on the heater or placed on or near the heater.
- Change the gas cylinder in an amply ventilated area, away from any ignition source (candle, cigarettes and other flame producing appliances);
- Please follow the diagram on the right to check and ensure that the regulator seal is correctly fitted so that it's able to properly fulfill its function;
- Do not obstruct the ventilation holes of the cylinder housing;
- Close the gas supply at the valve of the gas cylinder or the regulator after use;
- In the event of gas leakage, the appliance shall not be used or if alight, the gas supply shall be shut off and the appliance shall be investigated and rectified before it is used again;
- Check the hose at least once per month, each time the cylinder is changed or each time before long period of non-use. If it shows signs of cracking, splitting or other deterioration it shall be exchanged for a new hose of the same length and of the equivalent quality;
- The use of this appliance in enclosed areas can be dangerous and is **PROHIBITED**;
- Read the instructions before using this appliance. The appliance must be installed in accordance with the instructions and local regulations.
- For hose/regulator connection, and regulator/cylinder connection, please refer to the diagram shown above.
- This product contains small batteries. Swallowed small batteries can cause **A CHOKING HAZARD**. Seek immediate medical attention if batteries are swallowed or inhaled. Keep children away from the appliance's small batteries.



Hose/Regulator connection and Regulator/Cylinder connection

HEATER STAND AND LOCATION

- The heater is for **outdoor use only**. Always ensure that adequate fresh air ventilation is provided.
- Always maintain proper clearance to non protected combustible materials, i.e. minimum of 100cm away from the top and minimum of 100cm away from the sides of the heater.
- The heater must be placed on level firm ground.
- Never operate the heater in an explosive atmosphere like in areas where gasoline or other flammable liquids or vapours are stored.
- To protect the heater from strong winds, anchor the base securely to the ground with screws.



LPG (LIQUEFIED PETROLEUM GAS) REQUIREMENTS

- **Use propane, butane or propane/butane mixture gas only.**
- The pressure regulator and hose assembly to be used must conform to local standard codes.
- The installation must conform to local codes, or in the absence of local codes, with the standard for the storage and handling of liquid petroleum gases.
- A dented, rusted or damaged tank may be hazardous and should be checked by your tank supplier. Never use a tank with a damaged valve connection.
- The tank must be arranged to provide for vapour withdrawal from the operating cylinder.
- Never connect an unregulated tank to the heater.

LEAKAGE TEST

Gas connections on the heater are leak tested at the factory prior to shipment. A complete gas tightness check must be performed at the installation site due to possible mishandling in shipment or excessive pressure being applied to the heater.

- Make a soap solution of one part liquid detergent and one part water. The soap solution can be applied with a spray bottle, brush or rag. Soap bubbles will appear in case of a leak.
- The heater must be checked with a full gas cylinder.
- Make sure the safety control valve is in the OFF position.
- Turn the gas supply ON.
- In case of a leak, turn off the gas supply. Tighten any leaking fittings, then turn the gas supply on and re-check.
- **Never leak test while smoking.**

OPERATION AND STORAGE

TO TURN ON THE HEATER

1. Turn on the valve on the gas supply cylinder completely.
2. Press and turn the variable control knob to the PILOT position (counter-clockwise 90°).
3. Press down the variable control knob and hold for 30 seconds. While holding down the variable control knob, press the igniter button several times until the pilot flame lights. Release the variable control knob after the pilot flame lights.

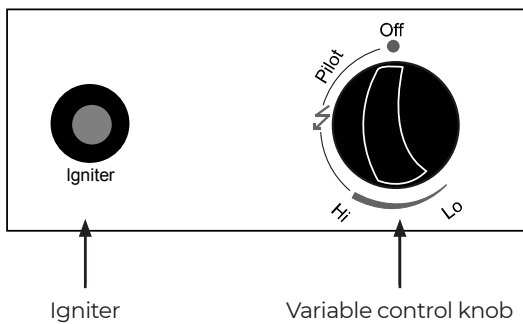
Note:

- If a new gas cylinder has just been connected, please allow at least one minute for the air in the gas pipeline to purge out through the pilot hole.
 - When lighting the pilot flame make sure that the variable control knob is continuously pressed down while pressing the igniter button. Variable control knob can be released after the pilot flame lights.
 - If the pilot flame does not light or it goes out, repeat step 3.
4. After the pilot flame lights, turn the variable control knob to maximum position and leave it there for 5 minutes or more before turning the knob to desired temperature position.

Warning: check that no broken glass is found before operation.

TO TURN OFF THE HEATER

1. Turn the variable control knob to PILOT position.
2. Press and turn the variable control knob to OFF position.



Off: the heater stop work
Hi: maximum temperature position
Lo: minimum temperature position

3. Turn off the valve on the gas supply cylinder completely.

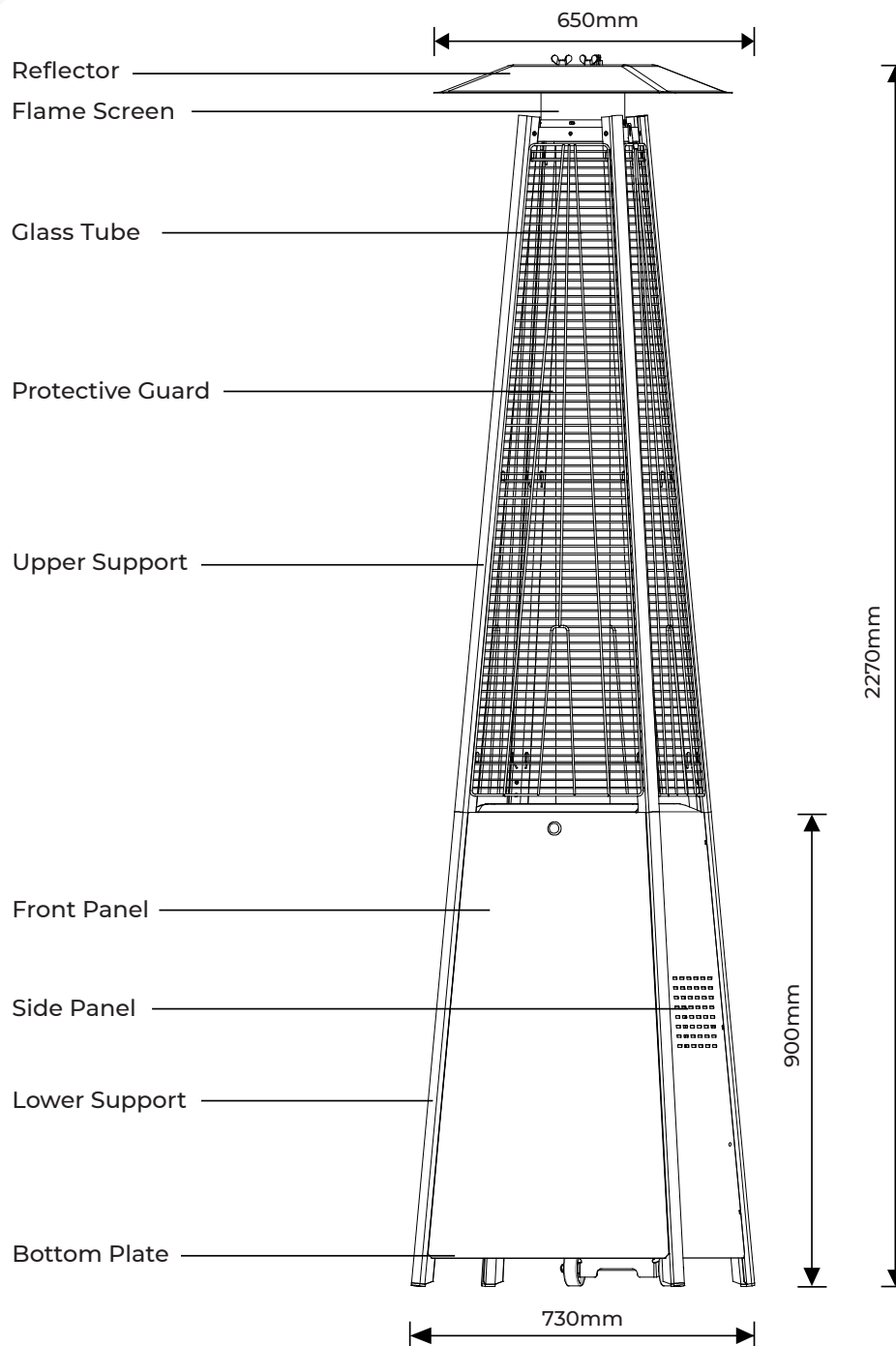
STORAGE

1. Always close the gas valve of the gas cylinder after use or in case of a disturbance.
2. Remove the pressure regulator and the hose.
3. Check the tightness of the gas valve and for damage. If you suspect damage, have it changed by your gas dealer.
4. Always store a liquid gas cylinder in a location that's well ventilated to prevent the accumulation of any leaked gases which can cause a serious health hazard.

CLEANING AND CARE

- Wipe off powder coated surfaces with a soft, moist rag. **Do not clean the heater with cleaning agents that are combustible or corrosive.**
- Remove debris from the burner to keep it clean and safe for use.
- It's advisable to cover the burner unit with a non-flammable protective cover when the heater is not in use.

PARTS AND SPECIFICATIONS



A. CONSTRUCTION AND CHARACTERISTICS

- Transportable terrace/garden heater with gas cylinder housing.
- Casing in steel with powder-coating or in stainless steel.
- Gas hose connections with metal clamp (screw caps for Germany).
- Heat emission from reflector.

B. SPECIFICATIONS

- **Use propane, butane or propane/butane mixture gas only.**
- Max. wattage: 14kw
- Min. wattage: 6.8kw
- Consumption:

APPLIANCE CATEGORY:	3+(28-30/37)		3B/P(30)	3B/P(50)
TYPES OF GAS:	Butane	Propane	Butane, propane or their mixtures	Butane, propane or their mixtures
GAS PRESSURE:	28-30 mbar	37 mbar	30 mbar	50 mbar
OUTLET PRESSURE OF REGULATOR:	30 mbar	37 mbar	30 mbar	50 mbar

- Using the proper regulator according to outlet pressure of regulator as showed in the table above.

C. TABLE OF INJECTOR

APPLIANCE CATEGORY:	3+(28-30/37)		3B/P(30)	3B/P(50)
TYPES OF GAS:	Butane	Propane	Butane, propane or their mixtures	Butane, propane or their mixtures
GAS PRESSURE:	28-30 mbar	37 mbar	30 mbar	50 mbar
TOTAL HEAT INPUT (Hs): (Qn)	14kW (1019g/h)			
INJECTOR SIZE:	1.89 mm for main burner 0.18 mm for pilot burner		1.55 mm for main burner 0.18 mm for pilot burner	
The marking, for example, 1.89 on the injector indicates that the size of injector is 1.89mm				

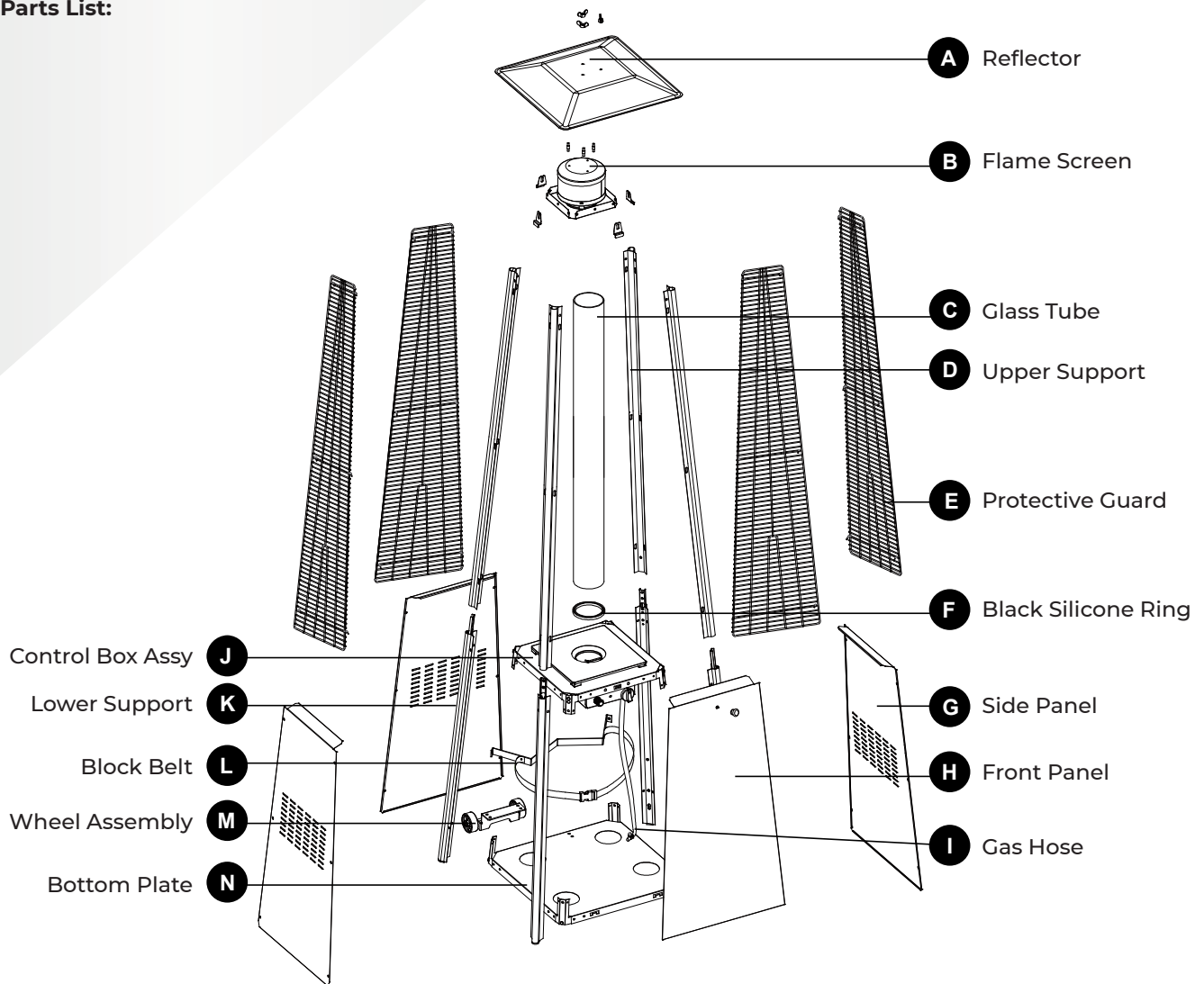
- The hose and regulator assembly must conform to local standard codes.
- Regulator outlet pressure should meet the corresponding appliance category in 'B. Specifications' table.
- The appliance requires approved hose in 0.6m length.

ASSEMBLY PARTS

Tools needed:

- Philips screwdriver w/ medium blade
- Spray bottle of soap solution for leakage test

Parts List:



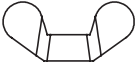
PART	DESCRIPTION	QUANTITY
A	Reflector	1
B	Flame Screen	1
C	Glass Tube	1
D	Upper Support	4
E	Protective Guard	4
F	Black Silicone Ring	1
G	Side Panel	3

PART	DESCRIPTION	QUANTITY
H	Front Panel	1
I	Gas Hose	1
J	Control Box Assy	1
K	Lower Support	4
L	Block Belt	1
M	Wheel Assembly	1
N	Bottom Plate	1

ASSEMBLY PARTS

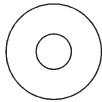
HARDWARE CONTENTS (shown actual size where applicable):

AA



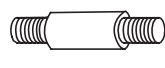
Wing nut
Qty. 3

BB



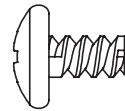
Small flat
washer $\Phi 6$
Qty. 6

CC



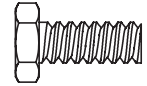
Stud
Qty. 3

DD



3/16" Screw
Qty. 42

EE



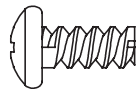
Bolt M6 X 12
Qty. 4

FF



M6 Flange
nut
Qty. 4

GG



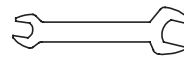
Screw
M5 x 12
Qty. 6

HH



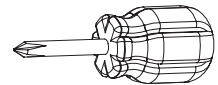
Fixing Bracket
Qty. 4

II



Wrench
Qty. 1

JJ



Phillips
screwdriver
Qty. 1

KK



Knob
Qty. 1

LL



Screw
M4 X 6
Qty. 1

MM



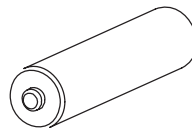
Chain
Qty. 1

NN



Long Stem Lighter
Qty. 1

OO

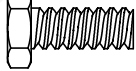

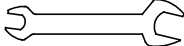


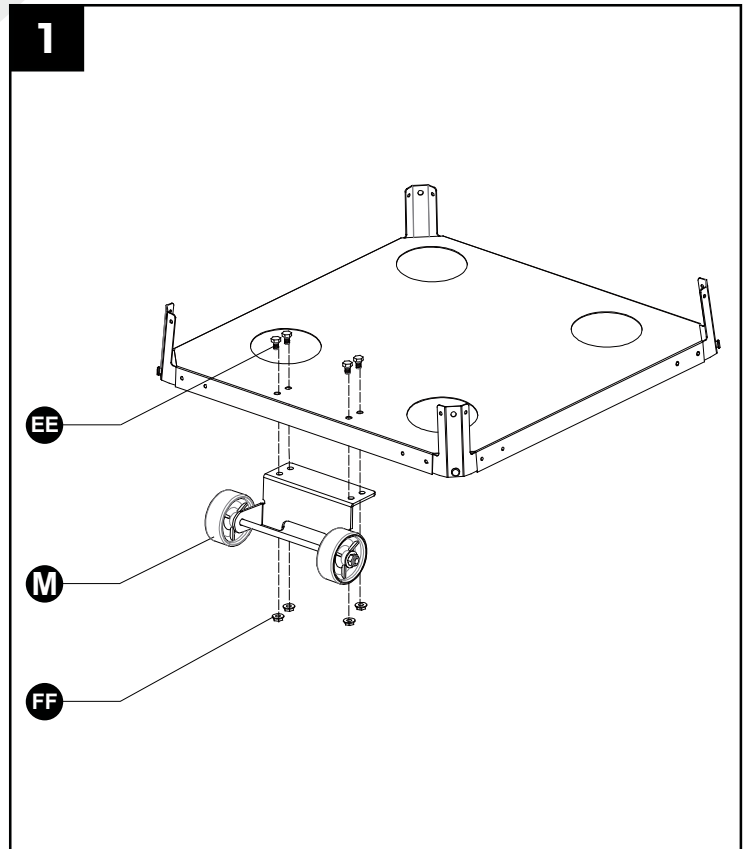
AA Battery (1.5 V)
Qty. 1
(NOT INCLUDED)

ASSEMBLY PROCEDURES

1. Assemble the wheel assembly to the bottom plate. Fix the wheel assembly to the bottom plate using 4pcs bolt M6X12 and 4pcs flange nut M6.

Hardware Used

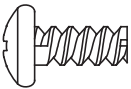
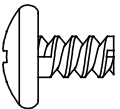
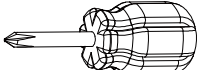
- EE** Bolt M6 X 12  x 4
- FF** M6 Flange nut  x 4
- II** Wrench  x 1

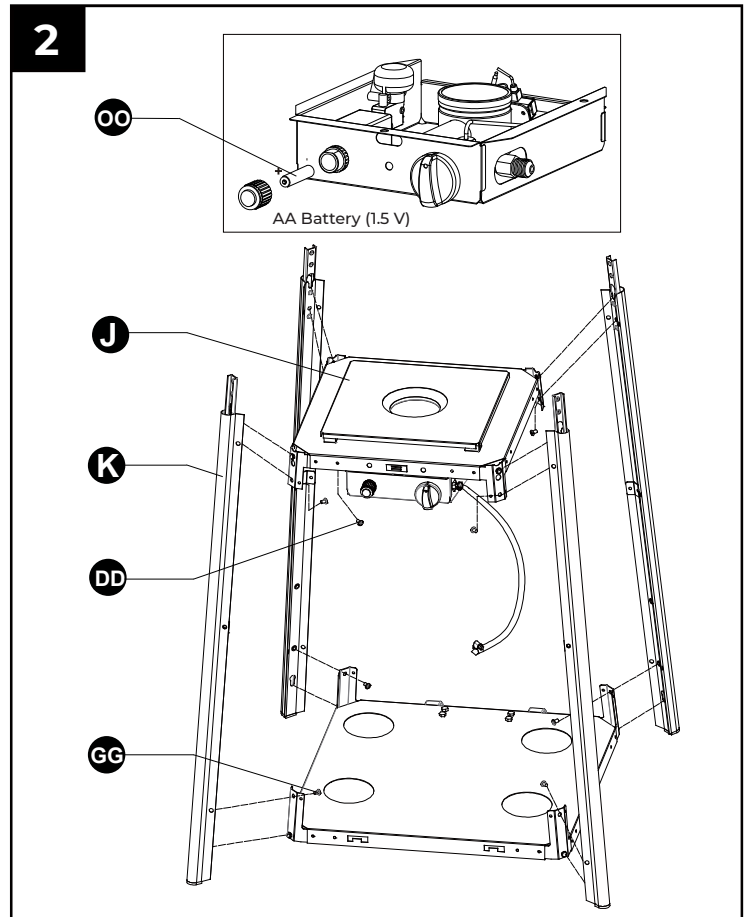


2.1 Unscrew the switch button, load the small battery, tighten the switch button.

2.2 Insert the pins of the base to the holes of lower support, press to secure the pins. Using 4pcs screw M5X12 to secure the lower support and base. Insert the pins of the control box assy to the holes of upper support, press to secure the pins. Using 4pcs screw 3/16" screw to secure the upper support and control box assy.

Hardware Used

- GG** Screw M5 X 12  x 4
- DD** 3/16" Screw  x 4
- JJ** Philips screwdriver  x 1

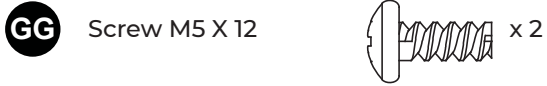


ASSEMBLY PROCEDURES (cont'd)

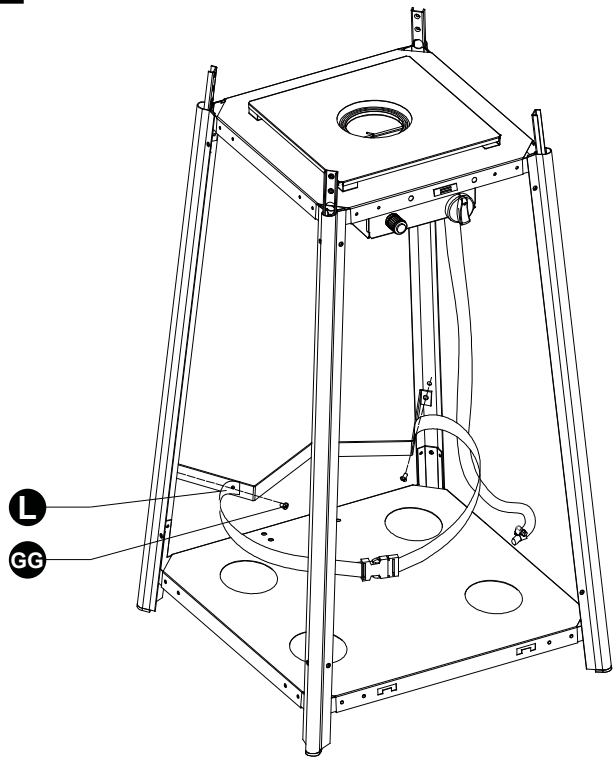
3. Assemble block belt.

Fix the block belt to the 2pcs of lower support behind the front door, using 2pcs screw M5 X 12.

Hardware Used



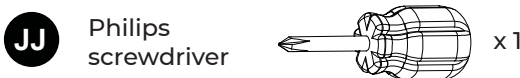
3



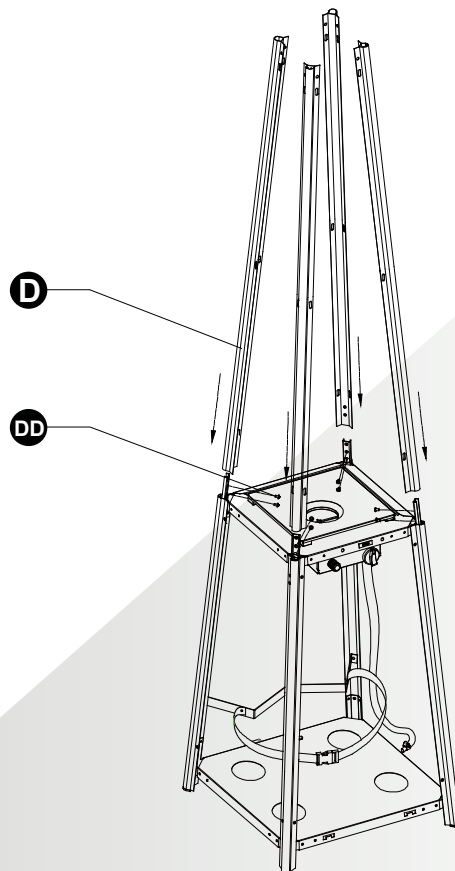
4. Assemble the middle support.

Insert the 4pcs upper support to the lower support. Secure them with 8pcs screw 3/16".

Hardware Used



4

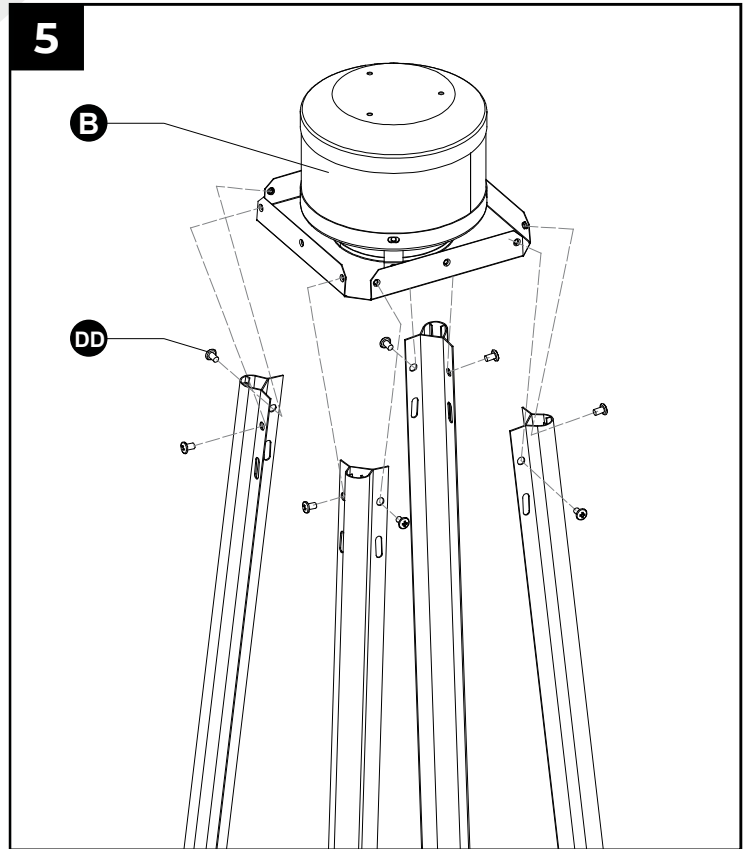
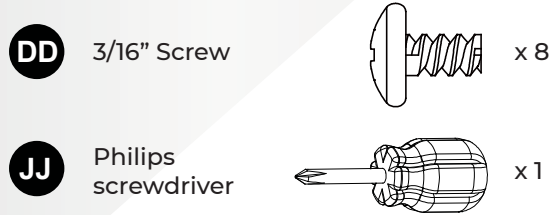


ASSEMBLY PROCEDURES (cont'd)

5. Assemble the flame screen to the upper support.

Secure the flame screen to the upper support using 8pcs screw 3/16".

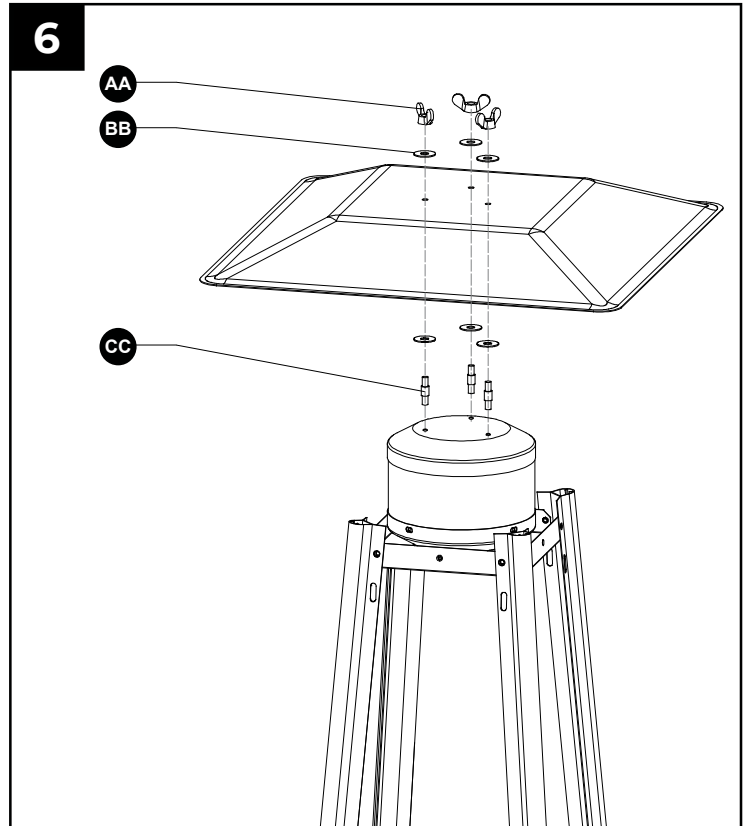
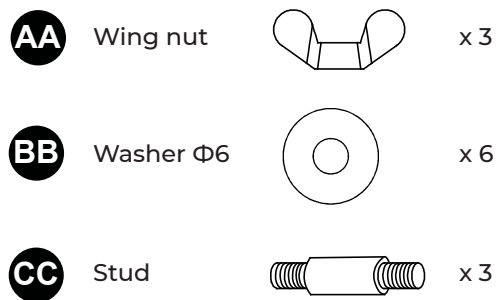
Hardware Used



6. Assemble the reflector onto the flame screen.

Screw the 3pcs stud on the flame screen, put 3pcs washer $\Phi 6$ onto the top of stud, then put the reflector onto the stud, secure them with 3pcs washer $\Phi 6$ and 3pcs wing nut.

Hardware Used



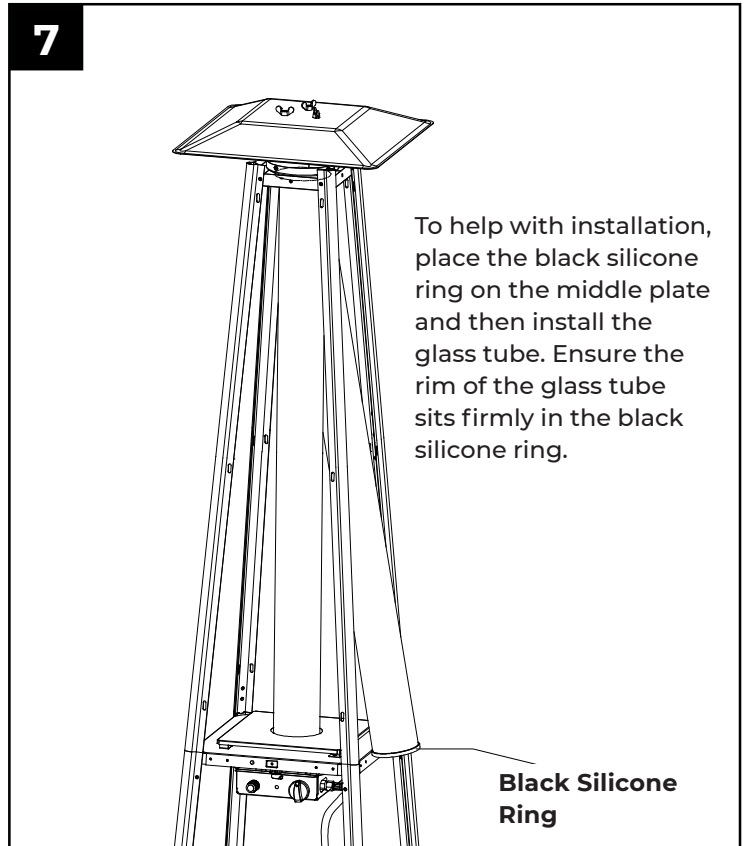
ASSEMBLY PROCEDURES (cont'd)

7. Carefully install the glass tube by lifting up and inserting through the center hole in the upper plate. Ensure the black silicone ring is attached to the lower edge of the glass tube as illustrated. Slide the glass tube through the hole of the lower plate cover and onto the middle plate. Check and ensure that the glass tube is positioned properly and is completely covering the center hole of the middle plate.



WARNING: The black silicone ring must be in place prior to operating the heater.

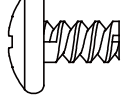
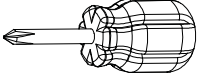

7



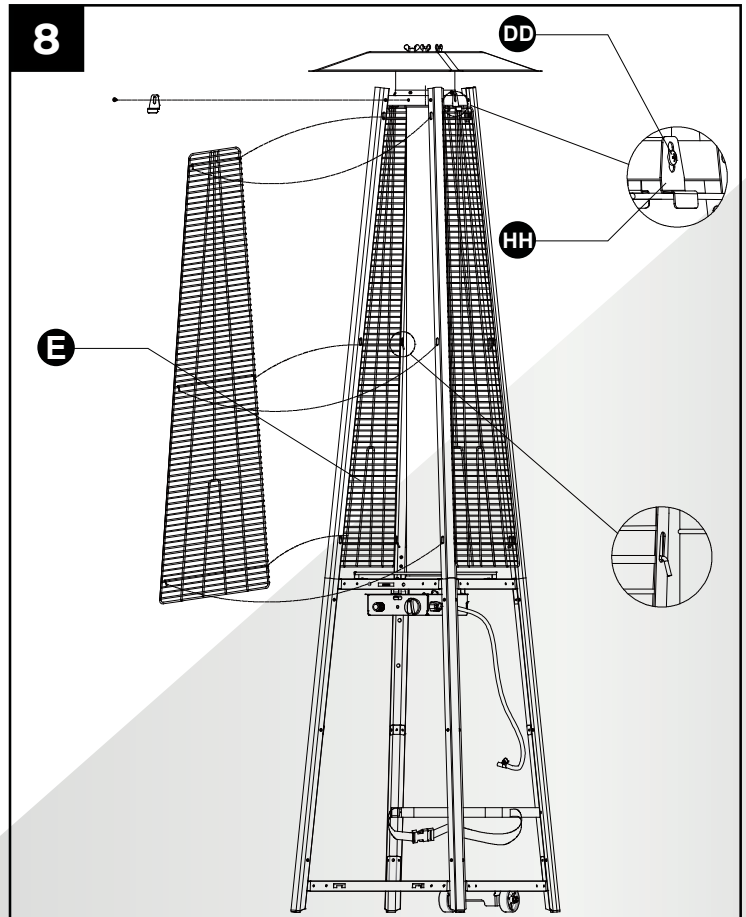
8. Assembly of the protective guard.

Hang the hooks of the protective guard onto the holes in the supports. Secure the protective guards with fixing brackets and with 4pcs 3/16" screws.

Hardware Used

DD	3/16" Screw		x 4
JJ	Philips screwdriver		x 1
HH	Fixing Bracket		x 4

8

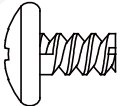
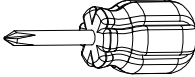


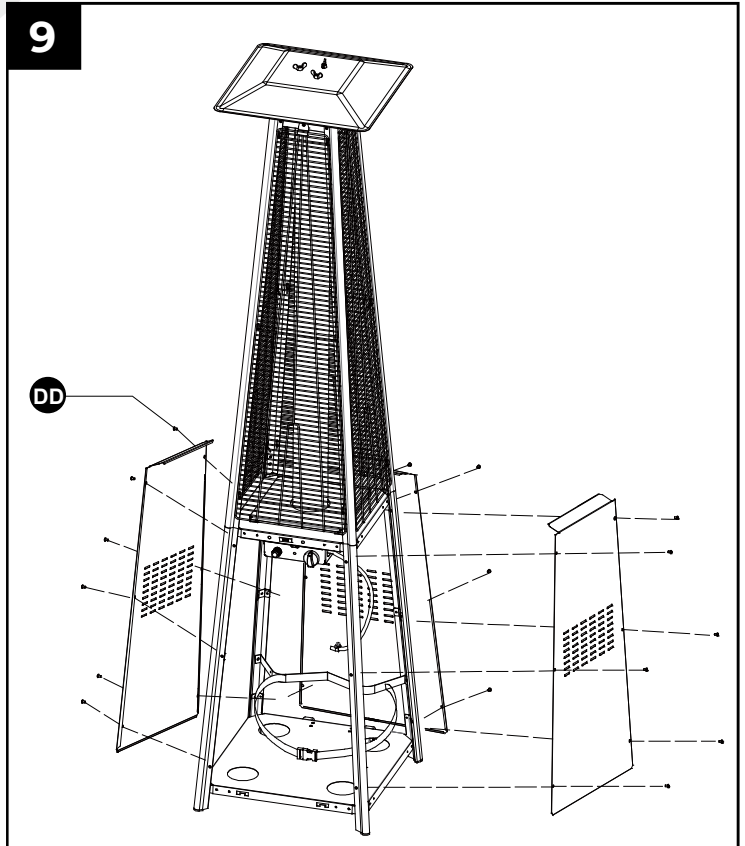
ASSEMBLY PROCEDURES (cont'd)

9. Attach the three side panels to the heater using 18pcs screw 3/16".

Note: Do not cover the front side where the control knob is.




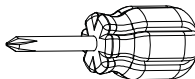
Hardware Used

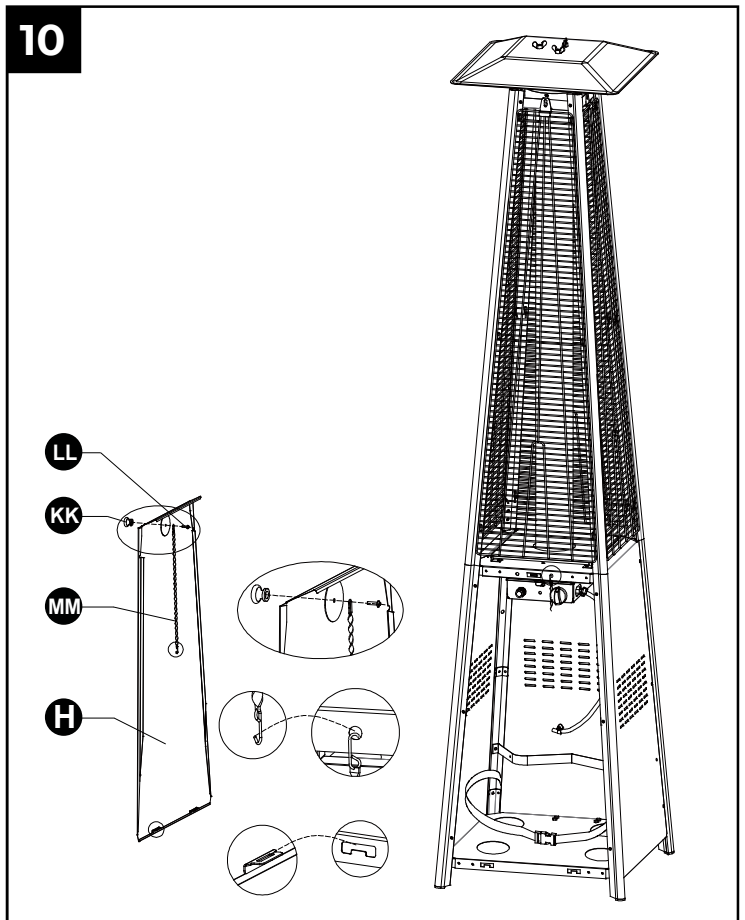
- DD** 3/16" Screw  x 18
- JJ** Philips screwdriver  x 1



10. Install the knob to M4 X 6 screw. Hang the chain to the hole on the control box assy and put the pothook of the front panel to the holes of the bottom plate.

Hardware Used

- KK** Knob  x 1
- LL** Screw M4 x 6  x 1
- MM** Chain  x 1
- JJ** Philips screwdriver  x 1

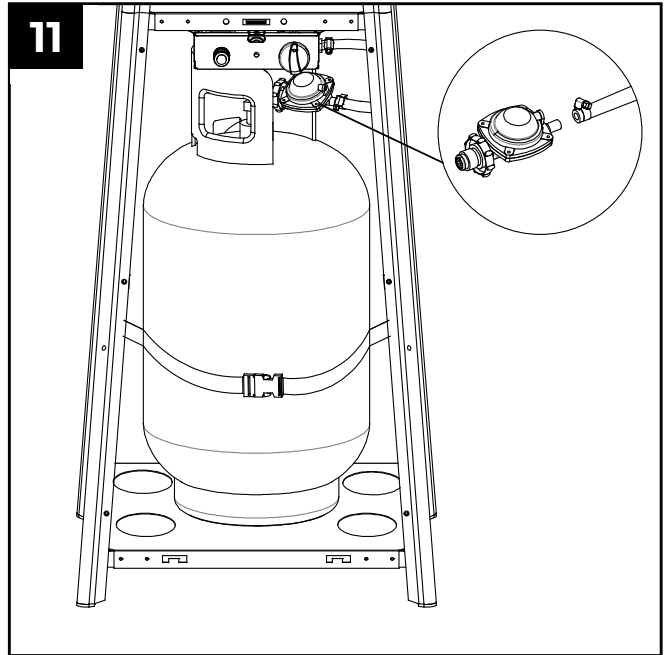


ASSEMBLY PROCEDURES (cont'd)

11. Connect the gas hose and regulator after that connect the regulator to the gas cylinder.



WARNING: Ensure the hose does not get into contact with any high temperature surfaces as it may melt and leak causing a fire. After the cylinder is placed inside the heater, tightly secure the cylinder with the block belt.



12. Leak Check.



WARNING: A leak test must be performed annually and each time a cylinder is hooked up or if a part of the gas system is replaced.



WARNING: Never use an open flame to check for gas leaks. Be certain no sparks or open flames are in the area while you check for leaks. Sparks or open flames will result in a fire or explosion, damage to property, serious bodily injury, or death.



LEAK TESTING: This must be done before initial use, annually, and whenever any gas components are replaced or serviced. Do not smoke while performing this test, and remove all sources of ignition. See Leak Testing Diagram on the next page for areas to check. Turn all burner controls to the off position. Turn gas supply valve on.



Brush a half-and-half solution of liquid soap and water onto all joints and connections of the regulator, hose, manifolds and valves.

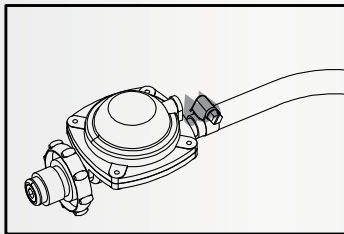


Bubbles will indicate a gas leak. Either tighten the loose joint or have the part replaced with one recommended by the Customer Care department and have the patio heater inspected by a certified gas installer. If the leak cannot be stopped, immediately shut off the gas supply, disconnect it, and have the patio heater inspected by a certified gas installer or dealer. Do not use the patio heater until the leak has been corrected.

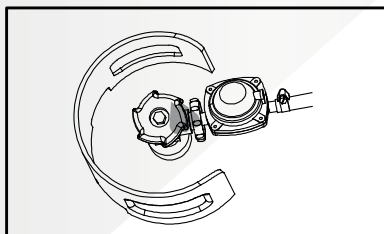
ASSEMBLY PROCEDURES (cont'd)

12. Leak Check.

Leak Testing Diagram for areas to check:

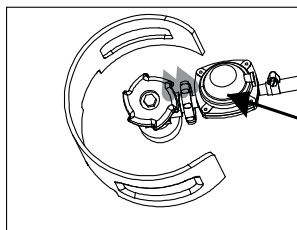
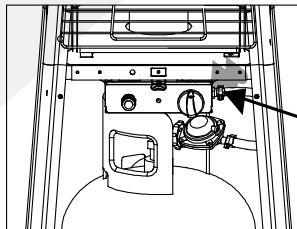


Hose / Regulator connection



Regulator / Cylinder connection

12



PROBLEMS CHECK LIST

PROBLEM	PROBABLE CAUSE	SOLUTION
Pilot will not light	Gas valve may be OFF	Turn the gas valve ON
	Tank fuel empty	Refill LPG tank
	Opening blocked	Clean or replace opening
	Air in supply system	Purge air from lines
	Loose connections	Check all fittings
Pilot will not stay on	Debris around pilot	Clean dirty area
	Loose connections	Tighten connections
	Thermocouple bad	Replace thermocouple
	Gas leak in line	Check connections
	Lack of fuel pressure	Tank near empty. Refill LPG tank.
Burner will not light	Pressure is low	Tank near empty. Refill LPG tank.
	Opening blocked	Remove and clean
	Control not ON	Turn valve to ON
	Thermocouple bad	Replace thermocouple
	Pilot light assembly bent	Place pilot properly
	Not in correct location	Position properly and retry

In the event of any defaults or problems of assembly or use, please don't try to modify it by yourself, contact your supplier or distributor.