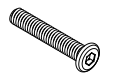





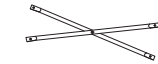




# WALL RACK / LADDER SHELF COMBINED

## USER MANUAL

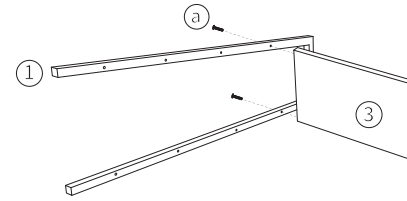
# Simply Brands

[www.simply-brands.com](http://www.simply-brands.com)

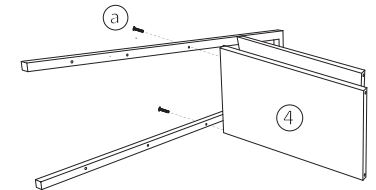
Item no.	Reference Image	Qty.
a	 M6X33MM	X 16
b	 M8X16MM	X4
c		X1

Item no.	Reference Image	Qty.
①		X2
②		X1
③		X1
④		X1
⑤		X1
⑥		X1

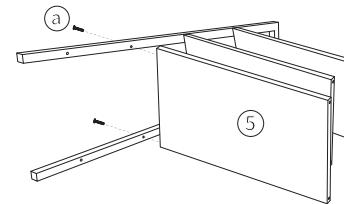
1.



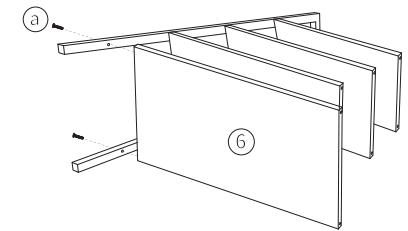
2.



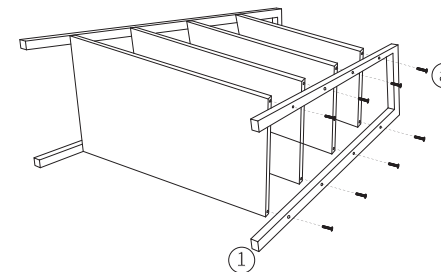
3.



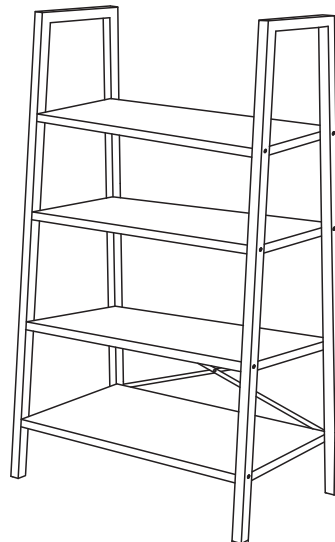
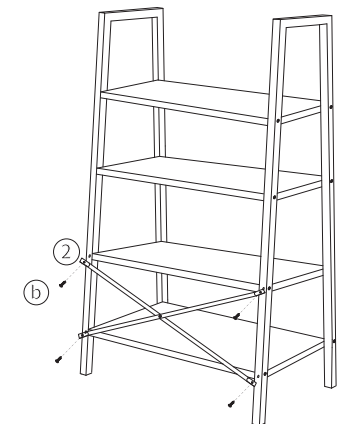
4.



5.



6.



**Importer Name:**  
Simply Brands (Asia) Ltd.

**Importer Address:**  
Unit 04-05, 16th Floor, The Broadway No. 54-62  
Lockhart Road, Wanchai, Hong Kong

**Client SKU:**  
SBA-00089

Please retain this information for future reference.