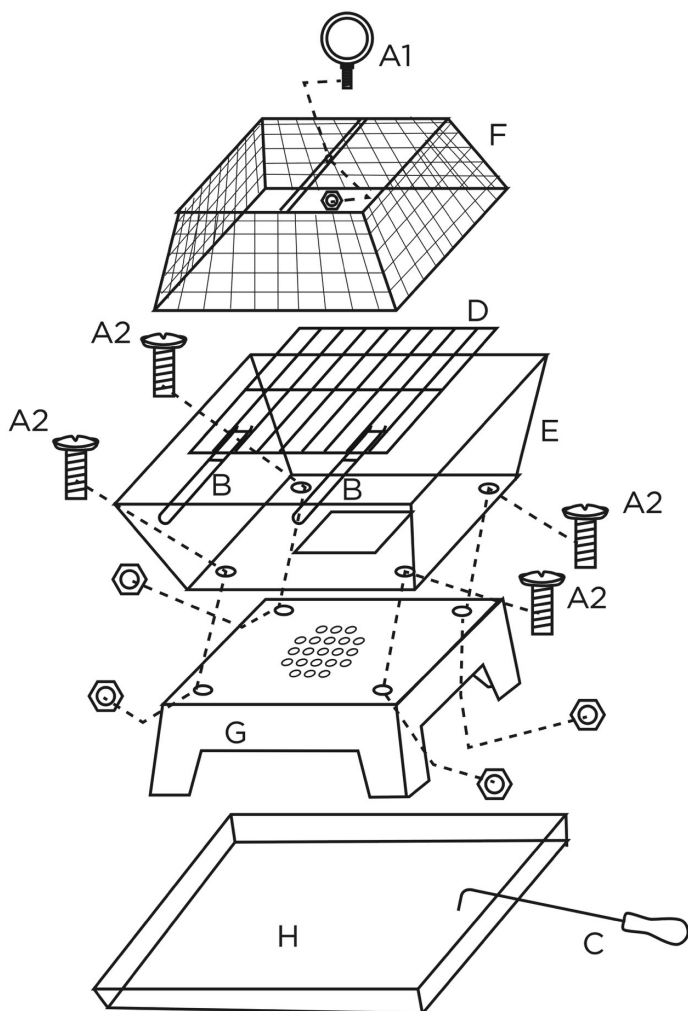
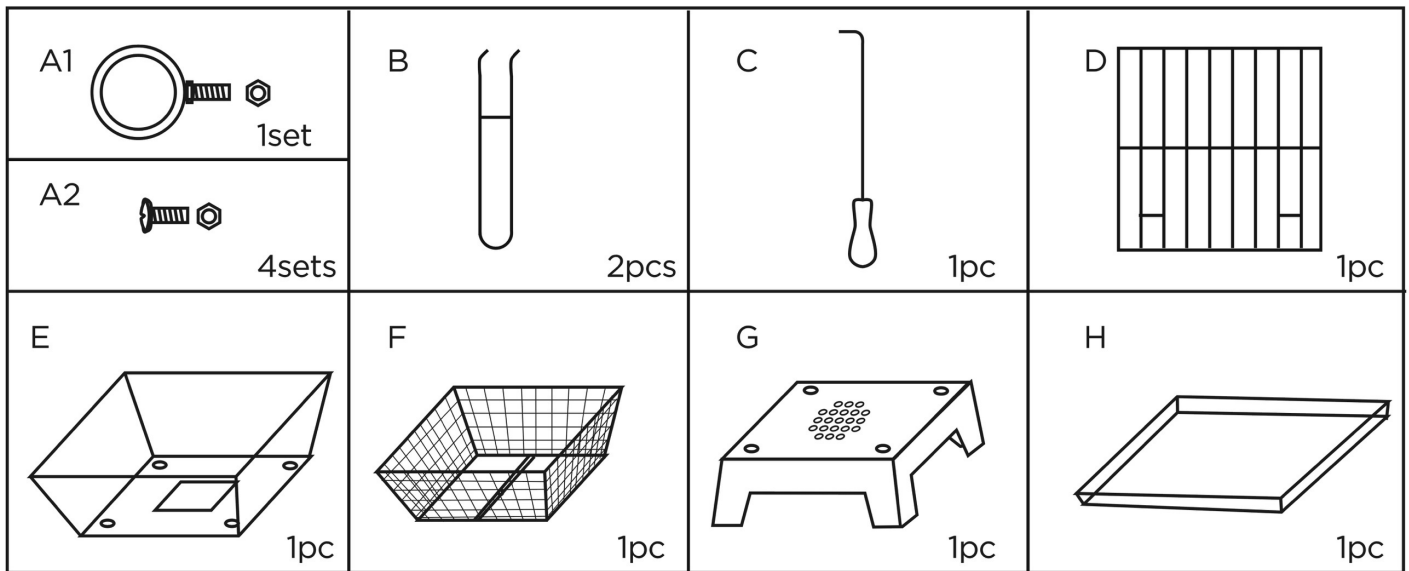


SQUARE FIRE PIT WITH BBQ GRILL

Assembly Instructions

Model Number: CH713



Features:

- 1) This outdoor fire pit will add heat and warmth to your garden or patio.
- 2) It is designed to be a wood burning fire pit and BBQ.
- 3) With a heavy duty steel construction and high temperature paint coating, it will not rust, the bottom plate will keep the ground cool and you have a 360° view of the fire.
- 4) It comes with a poker and spark screen for a safe and enjoyable fire.

Safety Precautions:

- 1) Stand your fire pit on a safe, level surface away from flammable items such as wooden fences or over hanging tree branches.
- 2) **DO NOT USE petrol, paraffin, methylated spirit or lighter fuel to light your fire pit.**
- 3) We'd recommended you should use dry wood or charcoal as fuel and ensure that the maximum amount you use doesn't spill over the fire pit itself. Adjust the amount of wood / charcoal used to suit how much food you're cooking / how long you want it lit for.
- 4) Once lit, do not move your fire pit or leave it unattended.
- 5) Before cooking anything, the fire pit and fuel used should be kept red hot for at least 30 minutes.
- 6) To light the fire pit, use tinder (newspapers, dry pine needles and straw) and kindling (thin sticks or twigs). Follow these lighting steps:
 - A) **If you are using charcoal** as your fuel, place this as a single pile in the fire pit first before the next steps. **If you are using wood**, follow steps B to D, then place some of your dry wood around your burning kindling, it should take the same form as your kindling in a teepee/pyramid shape. Carefully add more wood around the burning pile if you want the fire pit to sufficiently cook food or burn for a longer period.
 - B) Place a palm sized pile of your tinder in the center.
 - C) Take your kindling and position it carefully in a teepee/pyramid shape over your tinder. You want to make sure your kindling is placed close together, but still allows for airflow.
 - D) Next use a match or lighter to ignite your tinder (make sure not to burn your hand doing this). The fire will start to spread to the kindling and then to the charcoal underneath.
- 7) **DO NOT COOK before the fuel has a coating of ash.**
- 7) Keep children and pets a safe distance away.
- 8) Keep a fire extinguisher or fire blanket handy.
- 9) Use the supplied poker and only remove the spark screen lid using oven gloves as your fire pit will become extremely hot.
- 10) After use, ensure your fire pit has completely cooled before cleaning or moving.

PLEASE READ WARNING ADVICE ON PAGE 2

Simply Brands

www.simply-brands.com

Importer Name:
Simply Brands (Asia) Ltd

Importer Address:
Unit 04-05, 16th Floor, The Broadway No. 54-62
Lockhart Road, Wanchai, Hong Kong

SQUARE FIRE PIT WITH BBQ GRILL

Assembly Instructions

SKU: CH713



WARNING – PLEASE READ PRIOR TO USE

WARNING! This barbecue will become very hot, do not move if during operation. Do not use indoors!

WARNING! Do not use spirit or petrol for lighting or relighting! Use only firelighters complying to EN1860-3!

WARNING! Keep children and pets away.

Do not use the barbecue in a confined and/or habitable space, e.g. houses, tents, caravans, motor homes and boats. Danger of carbon monoxide poisoning fatality.

Simply Brands

www.simply-brands.com

Importer Name:
Simply Brands (Asia) Ltd

Importer Address:
Unit 04-05, 16th Floor, The Broadway No. 54-62
Lockhart Road, Wanchai, Hong Kong