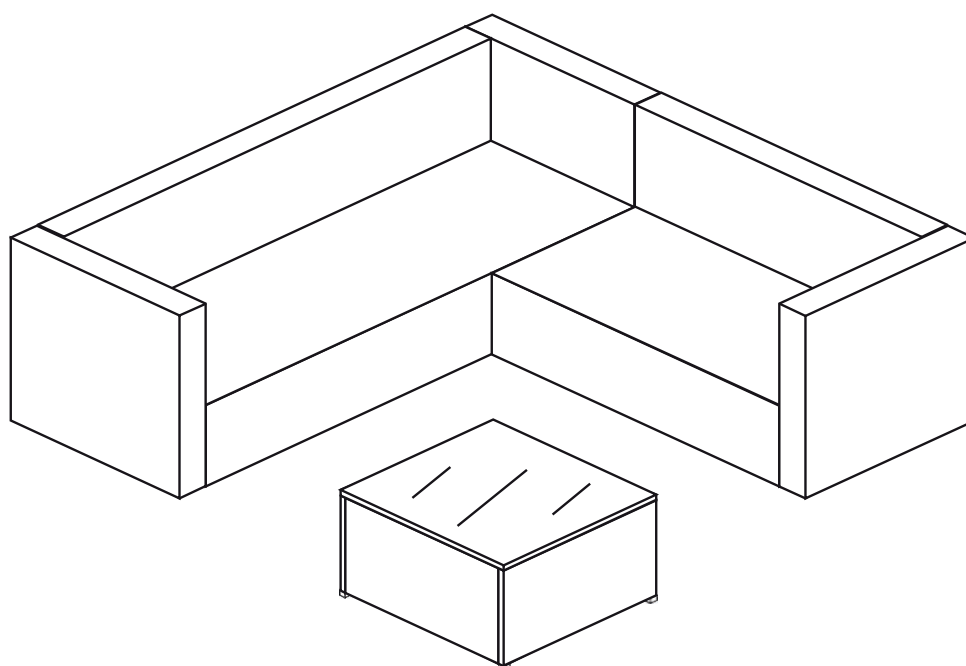


Batch Number: 20W44

5-SEATER TEMPLE RATTAN CORNER SOFA SET

INSTRUCTION MANUAL



IMPORTANT REMINDER

Please loosely screw all the bolts in place before tightening them fully. **WARNING!** The frame and holes were produced with highly accurate machine, if one or two bolts are tightened before all bolts have been put in place, there is a risk of bending the frame out of shape which might result in holes not aligning correctly.

Please ensure the glass is placed central to the table. Due to manufacturing tolerance there is supposed to be a small space either side of the glass.

1. Do not use electric screwdriver.
2. Tighten all screws completely.
3. All cushions and foams are UK FR

Simply Brands

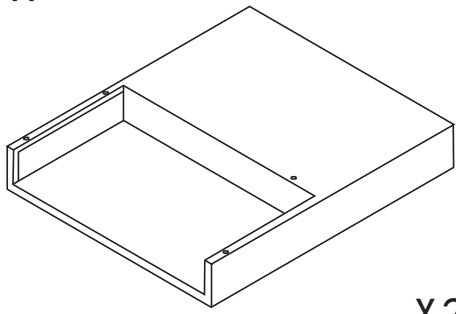
www.simply-brands.com

Importer Name:
Simply Brands (Asia) Ltd

Importer Address:
Unit 04-05, 16th Floor, The Broadway No. 54-62
Lockhart Road, Wanchai, Hong Kong

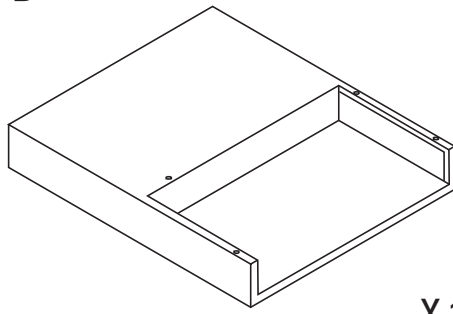
NOTE:50% TIGHTEN BEFORE FIXING ALL BOLTS

A



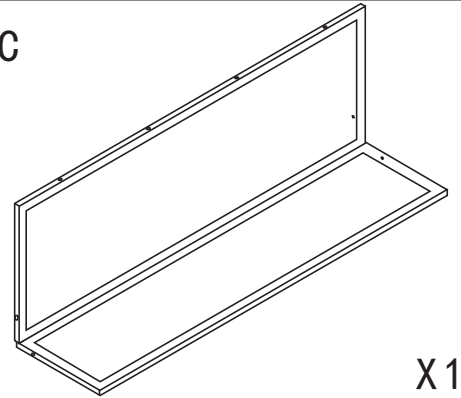
X2

B



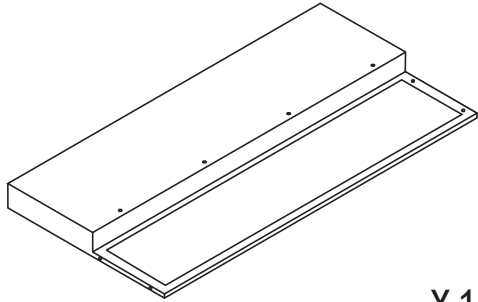
X1

C



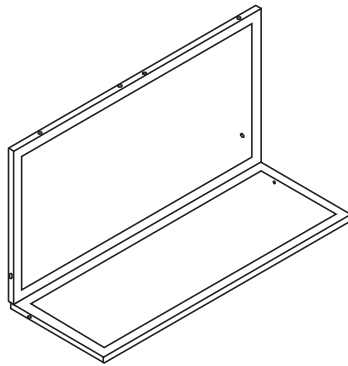
X1

D



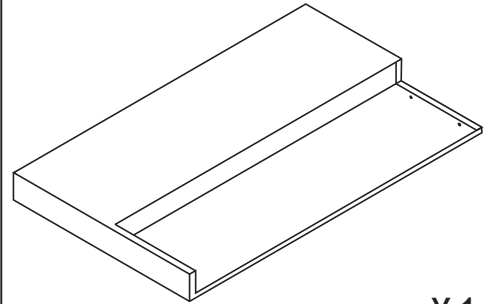
X1

E



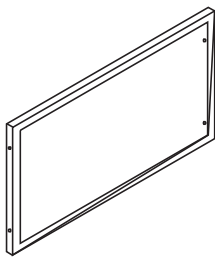
X1

F



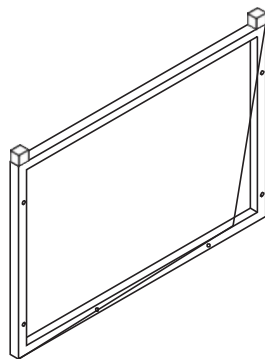
X1

G



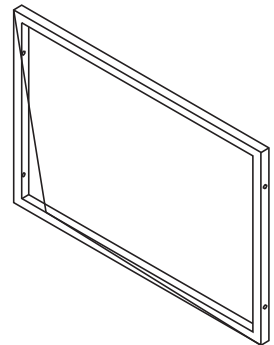
X4

H



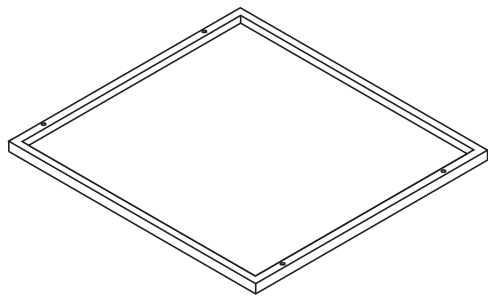
X2

I



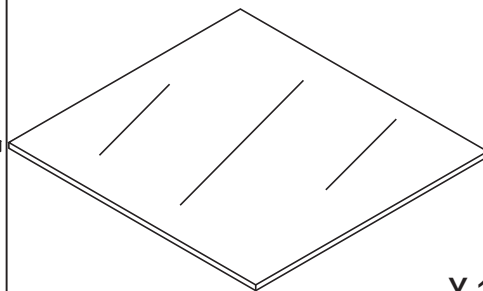
X2

J



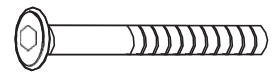
X1

K



X1

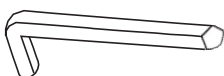
L



M 6X30

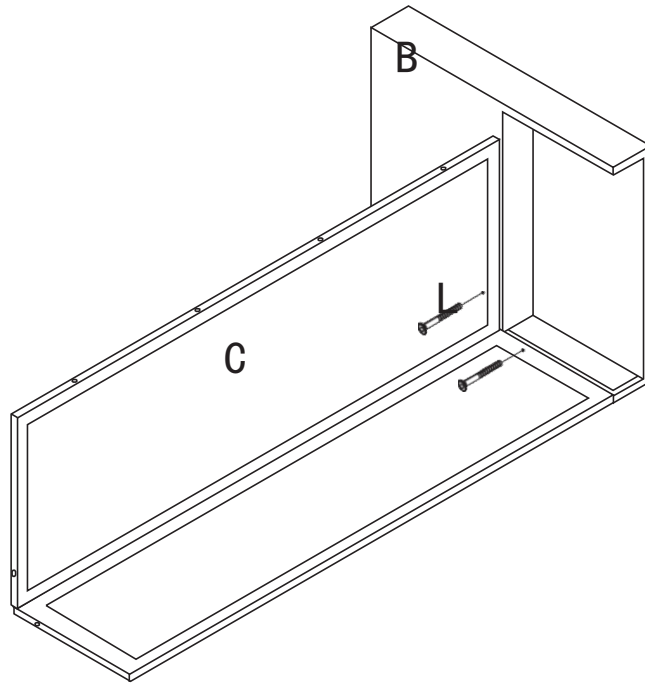
X36

M



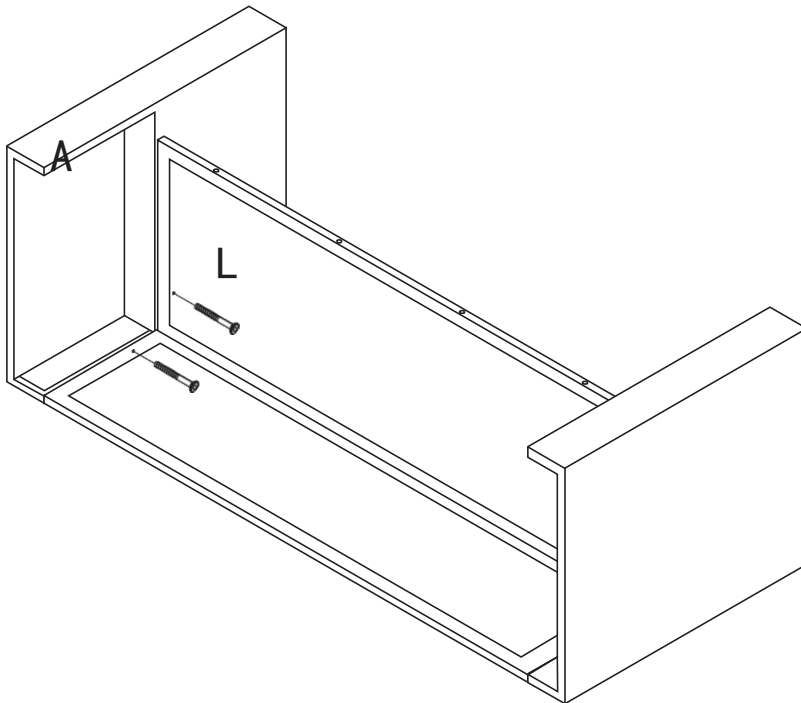
1

NOTE:50% TIGHTEN BEFORE FIXING ALL BOLTS



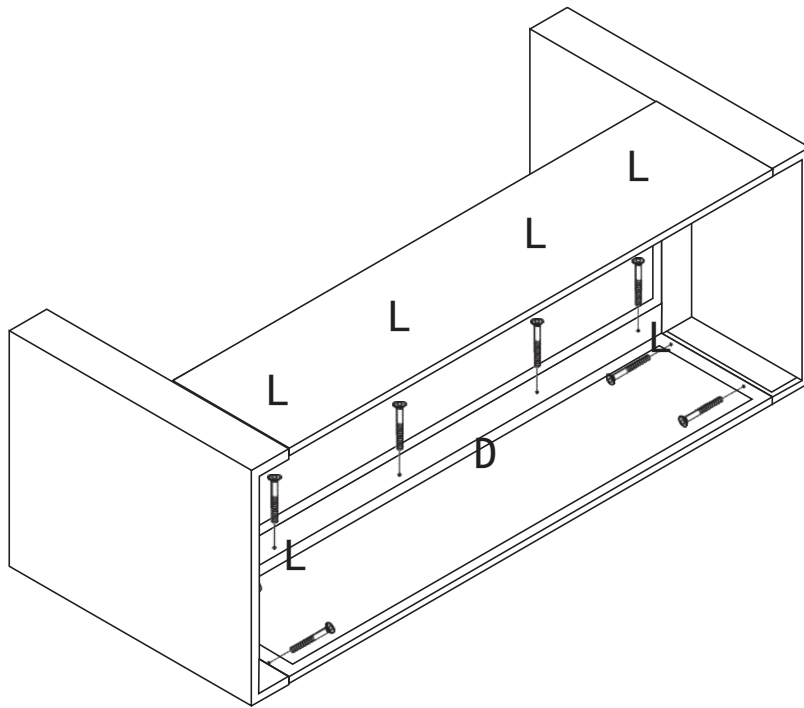
NOTE:50% TIGHTEN BEFORE FIXING ALL BOLTS

2



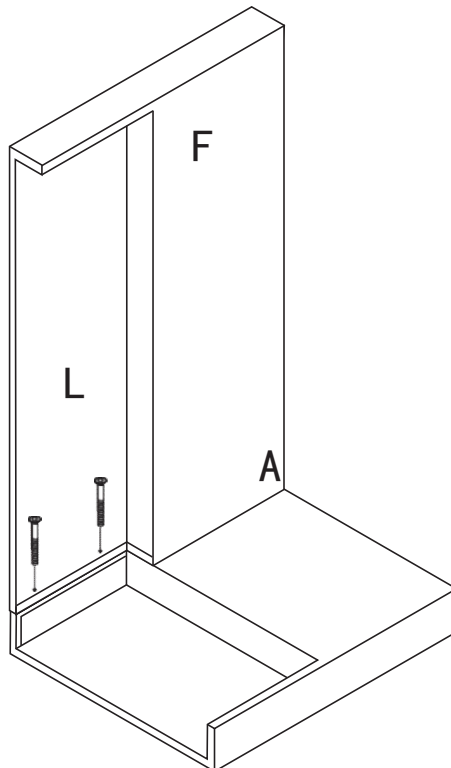
3

NOTE:50% TIGHTEN BEFORE FIXING ALL BOLTS



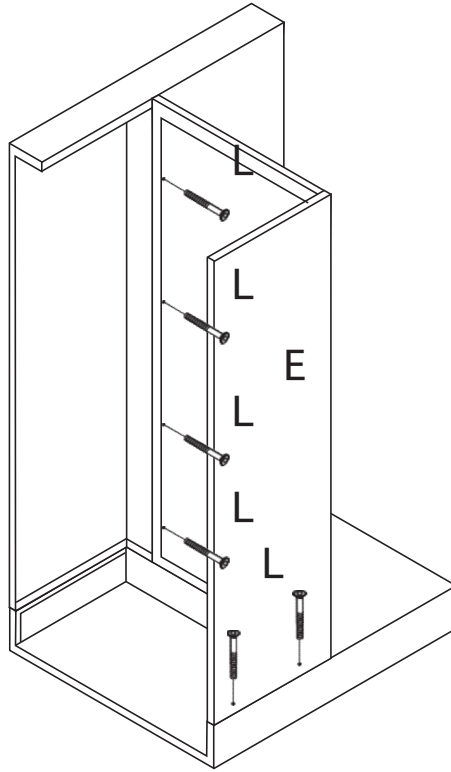
NOTE:50% TIGHTEN BEFORE FIXING ALL BOLTS

4



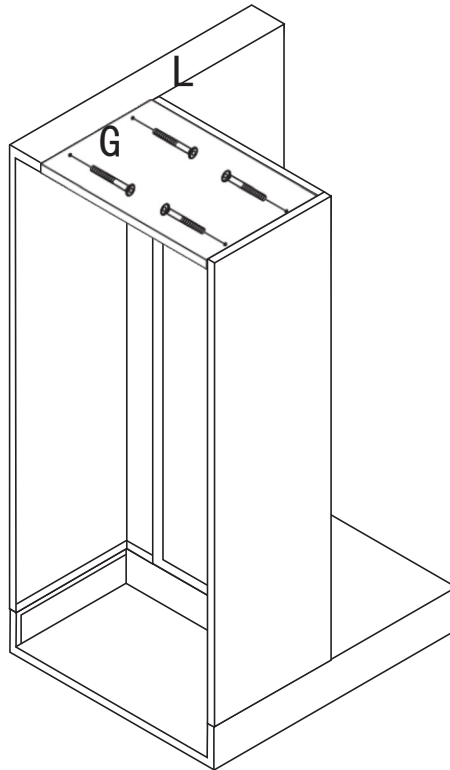
5

NOTE:50% TIGHTEN BEFORE FIXING ALL BOLTS



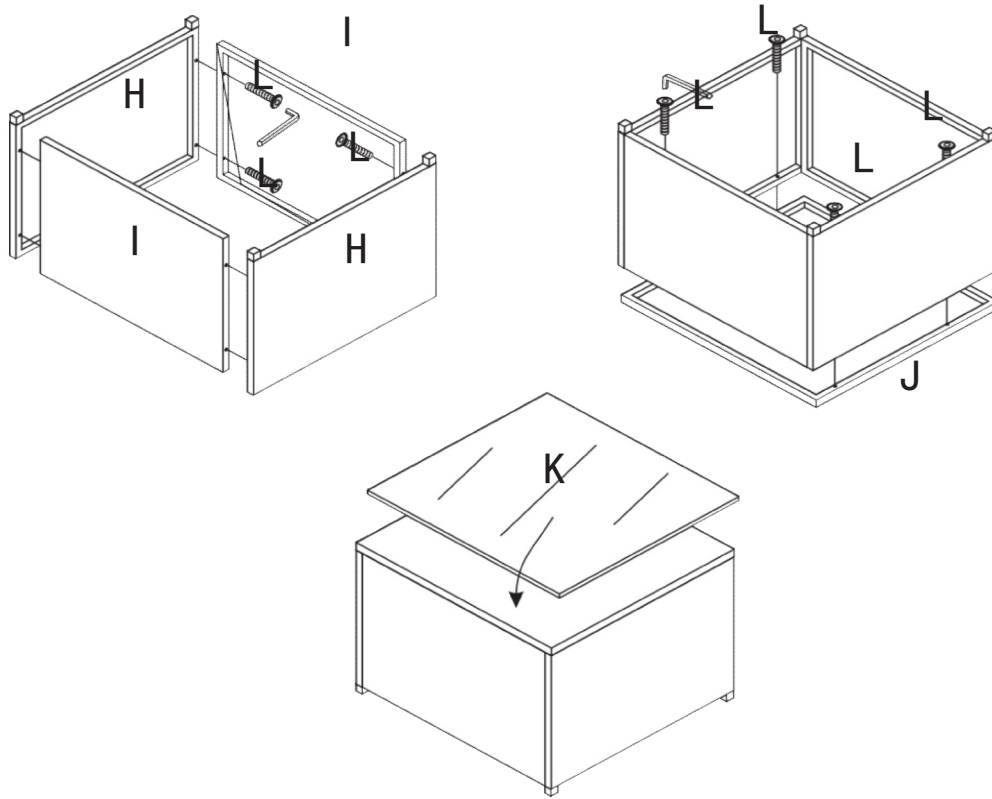
NOTE:50% TIGHTEN BEFORE FIXING ALL BOLTS

6



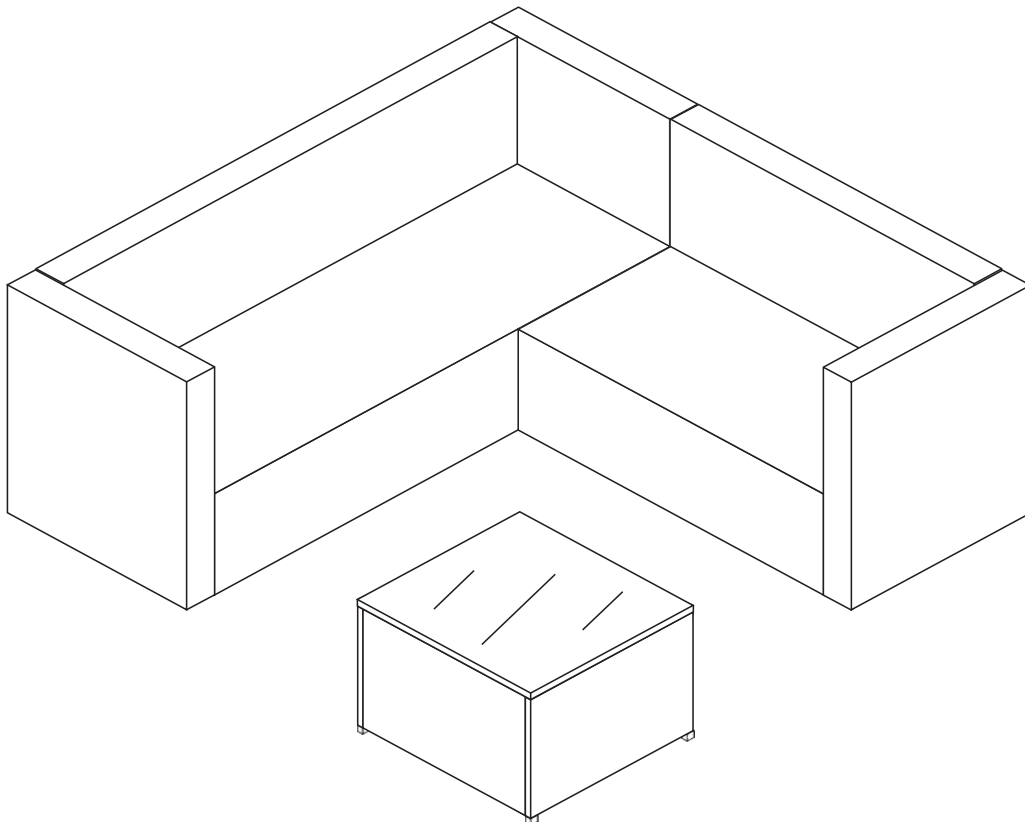
7

NOTE:50% TIGHTEN BEFORE FIXING ALL BOLTS



8

NOTE:50% TIGHTEN BEFORE FIXING ALL BOLTS



Simply Brands

www.simply-brands.com

Importer Name:
Simply Brands (Asia) Ltd

Importer Address:
Unit 04-05, 16th Floor, The Broadway No. 54-62
Lockhart Road, Wanchai, Hong Kong