

4K ACTION CAMERA

Instruction Manual

SKU: SBA-00077/78



FHD
1080p

2.0"

12MP

WiFi

Simply Brands
www.simply-brands.com

Importer Name:
Simply Brands (Asia) Ltd

Importer Address:
Unit 04-05, 16th Floor, The Broadway No. 54-62
Lockhart Road, Wanchai, Hong Kong

WARNING

1. This camera is a high-precision product so it's best to avoid it being dropped.
2. Do not expose the camera to strong magnetic objects such as magnets and electrical motors. Avoid strong radio waves. Strong magnetic fields may cause the camera to not function properly or damage to recorded images and video footage.
3. Never leave the camera exposed to high temperatures and direct sunlight.
4. Please choose a branded Micro SD card. Non branded Micro SD cards aren't normally guaranteed to work.
5. Do not place a Micro SD card near strong magnetic objects to avoid data loss.
6. In case of overheating, smoke, or unpleasant smell in the process of charging, unplug your camera immediately to prevent a fire hazard.
7. Whilst charging, keep the camera out of children's reach. The power cable may cause accidental suffocation or electric shock to children.
8. Keep the device in a cool, dry and dust-proof place.

Preface

This product is a high-definition digital motion video recording device tailored to market demand. It has a variety of industry leading features including digital video recording, photos shooting, audio recording, video display and detachable battery, which makes it perfect for vehicle data recording, taking photos, outdoor sports, home security, deep-water probing, etc., allowing you to film anywhere, anytime. The camera also has a variety of patents.

Multipurpose



Dash Cam



Outdoor Sports



Marine Sports



Diving

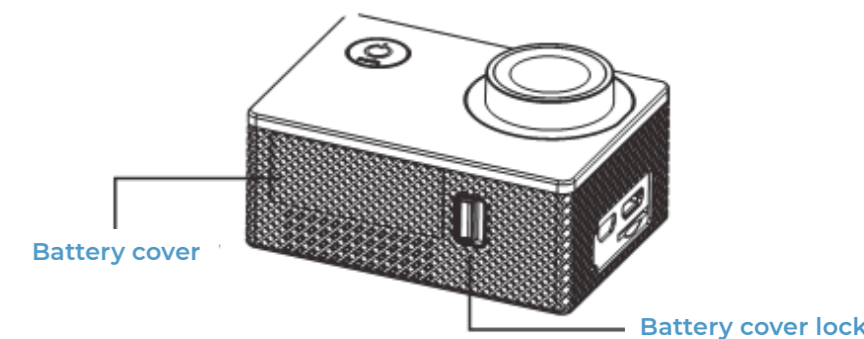
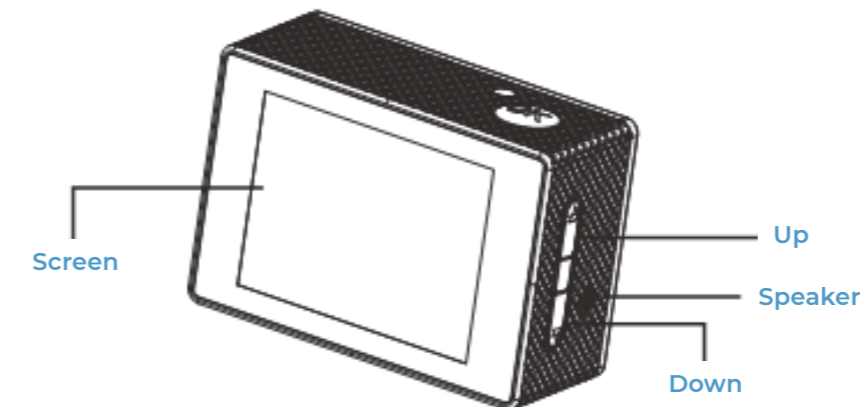
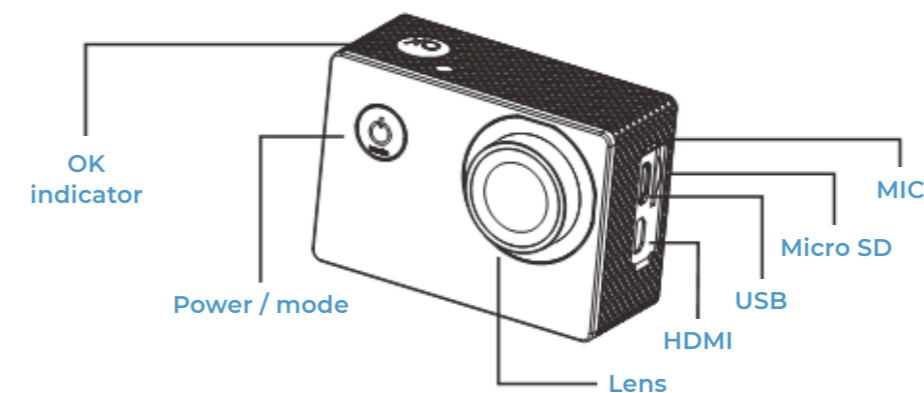


Home Security

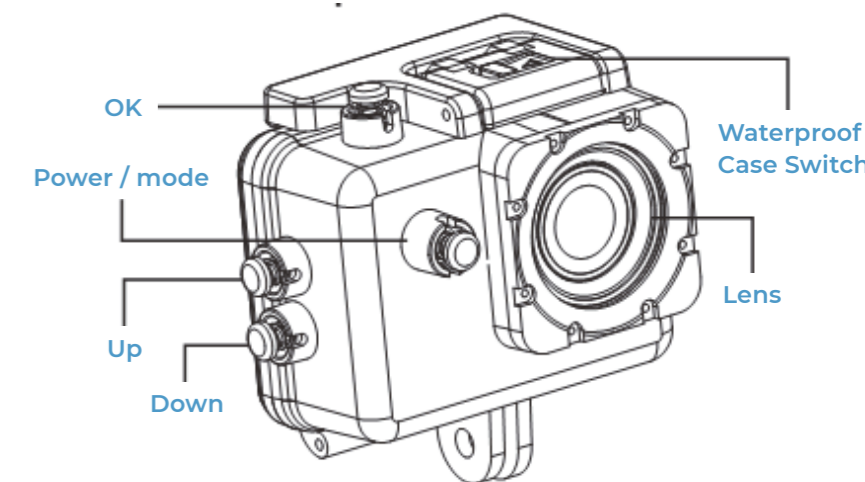
Product Features

- A water-resistant water sports casing that allows you to film fascinating water-based sports; water-resistant up to 30 metres underwater.
- High definition screen that displays and replays fascinating video footage.
- Detachable battery that is easy to replace and prolongs your camera's service life.
- Record video while charging.
- Video recording with battery.
- 12 megapixel HD lens wide-angle lens.
- HDMI HD output.
- Web camera.
- Supports storage cards up to a maximum of 32GB.
- Multiple recording formats: 1080FHD / 1080P / 720P / WYGA / VGA / QVGA.
- Record in AVI format.
- Multiple photo shooting modes: single shot, snapper.
- Video encryption enabled.
- Compact size, multiple colours available.
- Open WiFi button within the menu, it will be more convenient to operate the camera by using a mobile phone.

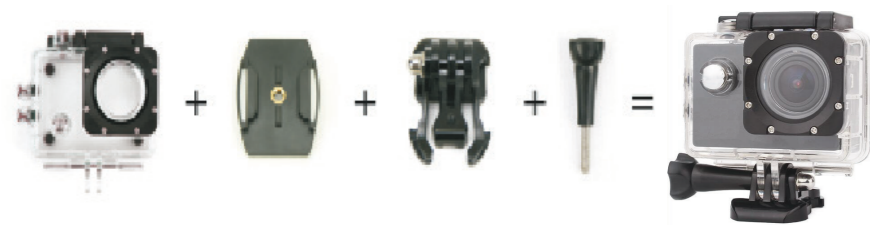
Product Features (continued)



Waterproof Case Features



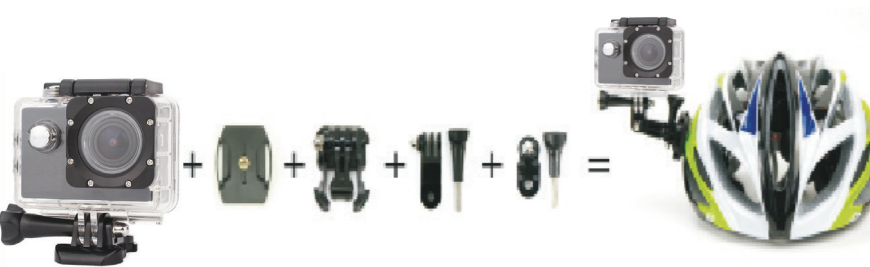
Multiple Functions



Waterproof Activity Camera



Helmet Mounted Activity Camera



Bicycle Mounted Activity Camera



Portable Activity Camera



Vehicle Dash Cam

Operating the camera

1. Inserting Micro SD cards

Note: please choose a branded Micro SD card and format it on a computer before use. Non branded Micro SD cards are normally not guaranteed to work.

2. Installing and removing batteries

- Press on the battery cover to open it.
- Correctly install the battery into the camera as indicated by +/- symbols and direction of arrows marked on the battery until it's in place.
- Battery gauge: please refer to the diagram.
- Remove battery: open the cover to take the battery out.

3. Charging

- Using either the power adaptor to a computer or power socket.
- Charging it in a vehicle by connecting it to a car charger.
- The camera can record video whilst charging.

Note: when it is charging and automatically recording video, charging can be done when you hold down the power button.

4. Switching the camera on and off

Press and hold down the power button for 3 to 5 seconds to turn it on/off. Short press the DOWN button to turn on WiFi.

5. Switching Modes

Switch between video recording / taking photos / playback menus by pressing the power button.

6. How to record videos and configure the recording setting

A. Video Recording

- Switch to recording mode and there will be an STBY icon in the upper left corner of the screen.
- Press 'OK' again if you want to stop. Resolution of videos recorded: 4K/2.7K/1080FHD/1080P/720P/WVGA/VGA/QVGA

Note: the default recording is a loop mode. If there's not enough storage space available for recording, any newer files will overwrite existing files. Please choose and adjust your modes according to the menu.

B. Taking Photos Setting

- Switch the camera on and press "Mode" to select 'photo shooting mode', there'll be an STBY icon in the upper left corner of the display screen and the camera is in photo shooting mode. Press 'OK' to take photos. Shooting Pattern: Single shot / Self-timer (3S/5S/10S/20S) / Continuous Shooting.

C. File Storage & Playback

- After you are done recording, use a USB cable to export the videos onto a computer to play. Or you take the Micro SD card out and access the image data with a card reader.

7. Install and use WiFi

WiFi connection (for WiFi model)

Please download and install the 'GoTrack Cam' app on your smart phone before starting the WiFi function. For Android users, please download the app from Google Play. For IOS users, please download the app from the Apple Store. The domestic can be downloaded in the mobile phone 360.

Connecting step:

- When turned UP, press and hold the button appears on the WiFi icon, then the WiFi light blinks;
- Finding out "GoTrack Cam" network on your smart phone, then connecting it by entering the original password: 12345
- Operating the GoTrack Cam application
Now you can preview in real time and remote control your camera on your phone, also you can download files from from the camera to your phone.

Setting WiFi password:

You can re-set the WiFi password in the setting mode.

Disconnecting the WiFi connection:

Press and hold the UP button until the 'Waiting for WiFi connection...' message disappears on the screen.

Download the FREE 'GoTrack Cam' app



We'd recommend downloading the GoTrack Cam app to help share your photos & video files from the camera.

The GoTrack Cam app is available to download for free for Android, Google and Apple devices.



Technical Specifications

Liquid Crystal Display:	2.0LTIPS
Lens:	170° A+ wide angle lens
Resolution of Videos Recorded:	– 1080FHD 30FPS (1920x1080px) – 1080P 30FPS (1440x1080px) – 720P 30FPS (1280x720px) – WVGA 30FPS (848x480px) – VGA 30FPS (640x480px) – QVGA 30FPS (320x240px)
Video Format:	AVI
Resolution of Photos:	12M/10M/8M/5M/3M/2M/1.3M/VGA
Storage:	Micro SDHC Class 10 16GB-32GB
Shooting Mode:	Single Shot / Self-Timer (3S/5S/10S/20S) / Continuous Shooting
WiFi Phone Operating System:	IOS 6.1 and above, Android 4.0 and above
WiFi Function:	Image transmission, remote control, settings, sync and sharing albums
Frequency of Optical Source:	50Hz/60Hz
Connections:	USB 2.0, HDMI
Power Source Interface:	5V/1A
Battery Capacity:	900MAH
Recording Capacity:	1080P/About 100 minutes
Charging Time:	About 2 hours/120 minutes
Operating System (OS):	Windows XP/7/8 SP3/Vista Mac OS X 10.5 and above
Dimensions:	59 mm x 41 mm x 30 mm
Applications:	Extreme Sports, outdoor sports, bicycle and car DVR, diving, home security, etc.
Additional features:	– As a car dash camera – As a dash camera (audio start)/stop recording when charging or not charging – Can record via motion sensor for home security purposes.
Note:	Specifications could be subject to modification due to upgrading or updating. Please use this camera for its intended purpose.