

Simply Brands

29" Tower Fan

INSTRUCTION MANUAL

Model: TS29-11



Please retain for
future reference



View our handy
BASE ASSEMBLY
instructional video



Made in China

Thank you for purchasing this 29" Tower Fan. We recommend that you spend some time reading these instructions in order to fully understand all the operational features it offers.



IMPORTANT SAFEGUARDS

When using your 29" Tower Fan, the following safety precautions must be followed:

- The appliance is for household and indoor use only.
- Before plugging in, check that the voltage on the fan rating label is the same as the mains supply.
- To protect against electric shock, do not immerse any part of the fan in water or other liquid.
- This fan is intended for use by competent adults only and children should be supervised at all times.
- It is recommended to unplug the fan from the mains socket when not in use.
- Always remove from the mains socket before cleaning.
- The supply cable cannot be replaced. If the cable is damaged the appliance should be scrapped.
- Do not let the cable hang over the end of a table or work surface, or touch hot surfaces.
- Do not use the appliance for other than its intended use.
- This appliance can be used by children aged from 8 years and above and persons with reduced physical, sensory or mental capabilities or lack of experience and knowledge if they have been given supervision or instruction concerning use of the appliance in a safe way and understand the hazards involved. Children shall not play with the appliance. Cleaning and user maintenance shall not be made by children without supervision.



IMPORTANT SAFEGUARDS (continued)

- Children of less than 3 years should be kept away unless continuously supervised. Children from 3 years and less than 8 years shall only switch on/off the appliance provided that it has been placed or installed in its intended normal operating position and they have been given supervision or instruction concerning use of the appliance in a safe way and understand the hazards involved. Children aged from 3 years and less than 8 years shall not plug in, regulate and clean the appliance or perform user maintenance.
- Don't use this fan in the immediate surroundings of a bath, a shower or a swimming pool. Never locate the fan where it may fall into the bath tub or other water container.
- In case of malfunction, do not try to repair the fan yourself, it may result in a fire hazard or electric shock.



OPERATING INSTRUCTIONS

- Select a suitable location for the fan. Always choose a safe location in accordance with the Important Safeguards.
- When placing a fan on a table or shelf, always ensure that the power cord does not hang where it can accidentally be pulled causing the fan to fall.
- Connect the plug to a suitable power socket

TIMER

- To preset the timer for the fan to operate at 20 minutes, 40 minutes, 60 minutes, 80 minutes, 100 minutes and the maximum time allowed is 120 minutes, turn the dial to the required time.

SPEED CONTROL

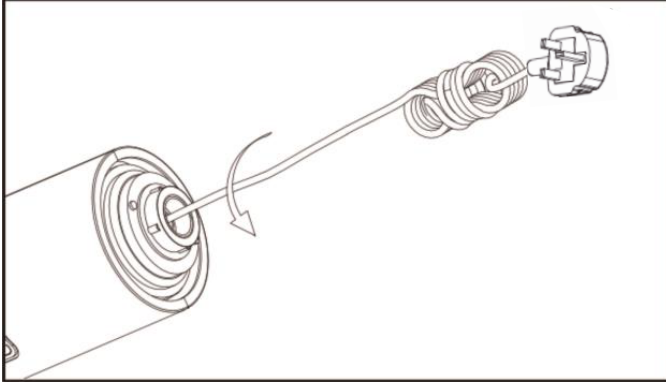
- Turn the dial clockwise to select the desired speed.
- To set the speed with oscillation rotate the dial anti clockwise.

MAINTENANCE

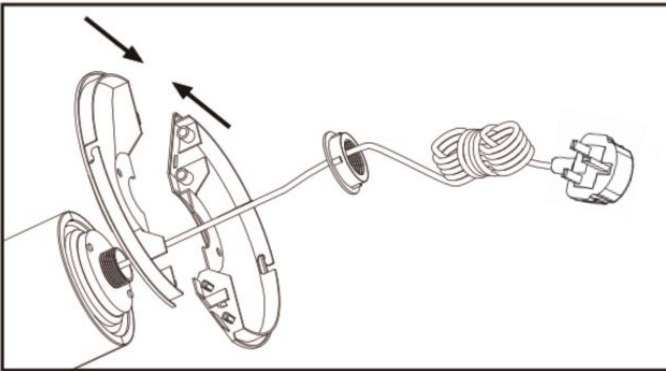
- Cleaning and user maintenance shall not be made by children without supervision.
- Switch off and unplug from the power supply before assembling or disassembling and cleaning.
- Keep the air vents at the rear of the main body free from dust or fluff use a vacuum cleaner to remove these when necessary. Do not probe any opening to remove fluff.
- Fan component parts should be cleaned using mild soap and a damp cloth or sponge. Do not allow any water or other liquid to enter the motor housing.
- Thoroughly remove soap film with clean water.

ASSEMBLY OF BASE

1. To assemble the base to the main body, detach the adjusting plastic screw nut from the main body.



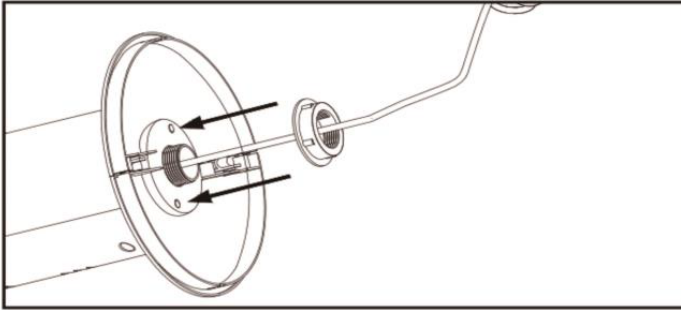
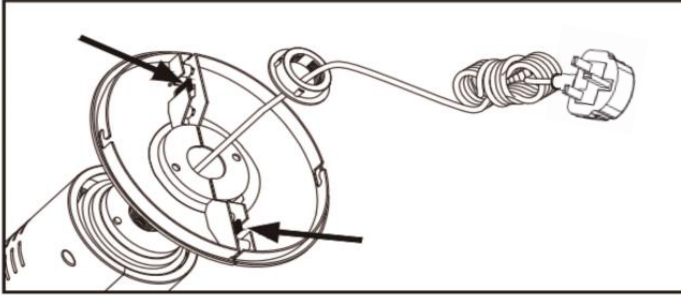
2. Position the base to the main body and ensure the holes in the two base parts are aligned.



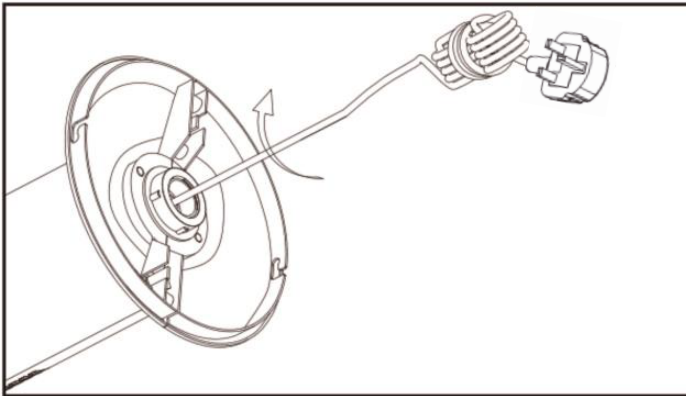
Continues on next page.

ASSEMBLY OF BASE (continued)

3. The holes on the base must also match the main body.

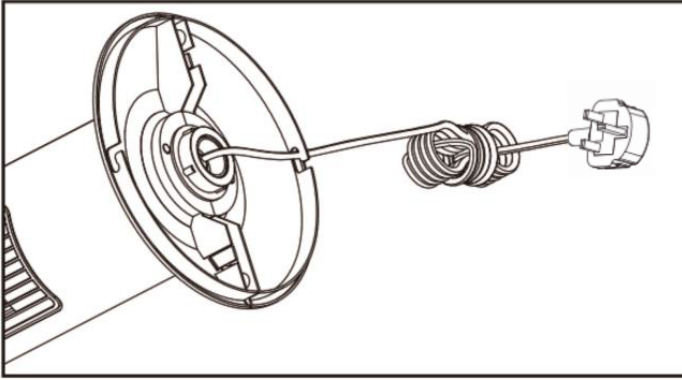


4. Secure the main body and base by turning the adjusting plastic screw nut clockwise.



ASSEMBLY OF BASE (continued)

5. Feed the power cable through the slot on the base.



CAUTION: Do not use harsh detergents, chemical cleaners or solvents as they may damage the surface finish of the fan components.

This product is under continuous product development and the design may alter to that on the instruction manual or box without prior notice.

SPECIFICATION:

Rated Voltage: **220 240V ~ 50Hz**

Power Consumption: **45 watts**



**UK
CA**



The 'Wheellie Bin' symbol on the product or its packaging indicates that it must not be disposed of with your other household waste. Please dispose of this product at a designated collection point for the recycling of waste electrical and electronic equipment. For more information please contact your local authority.



Simply Brands

Customer Services:

fulfilledby@wowcher.co.uk

Importer Name:

Simply Brands (Asia) Ltd

Importer Address:

Unit 04-05, 16th Floor, The Broadway No. 54-62
Lockhart Road, Wanchai, Hong Kong